



blockbau

CONTENT

THIS PDF IS INTERACTIVE – BY CLICKING ON YOUR TARGET YOU WILL BE REDIRECTED!

SEATING	TPOLOGY	AREA	PAGE
32 Series	STOOL/ CHAIR/ BAR CHAIR	INDOOR / OUTDOOR	5-12
32 ARMCHAIR NEW	ARMCHAIR	INDOOR	13-18
22.24 ARMCHAIR	ARMCHAIR	INDOOR/ OUTDOOR	19-25
22.9 DAYBED	DAYBED	INDOOR	26-31
STORAGE			
80/100 SYSTEM	STORAGE SYSTEM	INDOOR	32-39
TABLES			
32 CAFÉ TABLE NEW	CAFÉ TABLE	INDOOR / OUTDOOR	40-45
SIDE TABLES	SIDE- / COFFEETABLE	INDOOR	46-52
STABLE TABLE	DINING TABLE	INDOOR	53-58
DESIGNERS			
KEVIN RACK & JOHANN KUHN			59
JOHANNES LORZ			59
ADDITIONAL INFORMATION			
SHIPPING INFORMATION			60
SHIPPING COSTS			61
TERMS & CONDITIONS			62-66
COONACT & IMPRINT			67-73

ABOUT

BLOCKBAU WAS FOUNDED IN 2020 WITH THE AIM OF CREATING A COLLECTION OF TIMELESS STATEMENT PIECES FOR PRIVATE AND PUBLIC SPACES. WHEN DESIGNING, WE START WITH WELL-KNOWN TYPOLOGIES AND REINTERPRET THEM WITH A FRESH PERSPECTIVE. THE RESULTING DESIGNS ARE DELIBERATELY UNDOGMATIC, BUT FEATURE SUBTLE DETAILS AND A FINELY COORDINATED PALETTE OF MATERIALS. ALL OF THEM HAVE A SPECIAL FOCUS ON THE SMALL DETAILS THAT MAKE ALL THE DIFFERENCE.

FROM THE BEGINNING, BLOCKBAU HAS BEEN BASED IN SOUTHERN GERMANY, WHERE OUR COLLECTION IS DESIGNED AND MANUFACTURED. THIS HAPPENS EITHER IN OUR OWN STUDIO OR IN COLLABORATION WITH YOUNG DESIGNERS. FOR PRODUCTION, WE WORK WITH LOCAL PARTNER COMPANIES THAT HAVE FIRST-CLASS EXPERTISE IN THE PRODUCTION

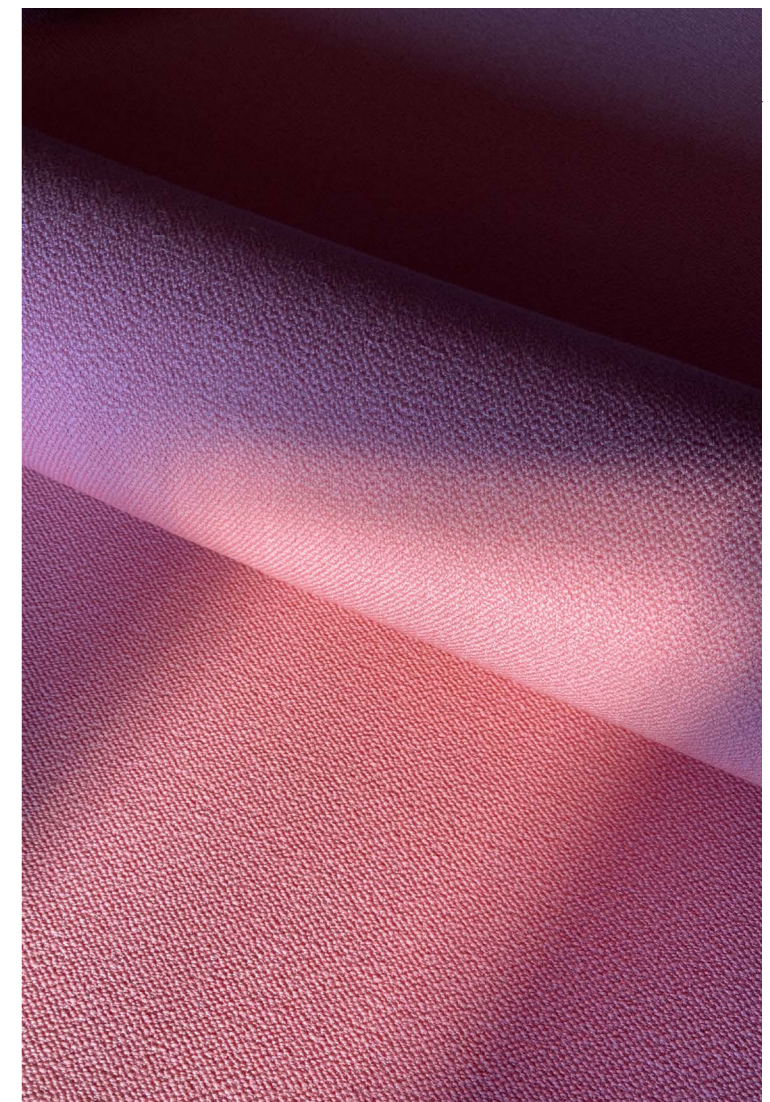
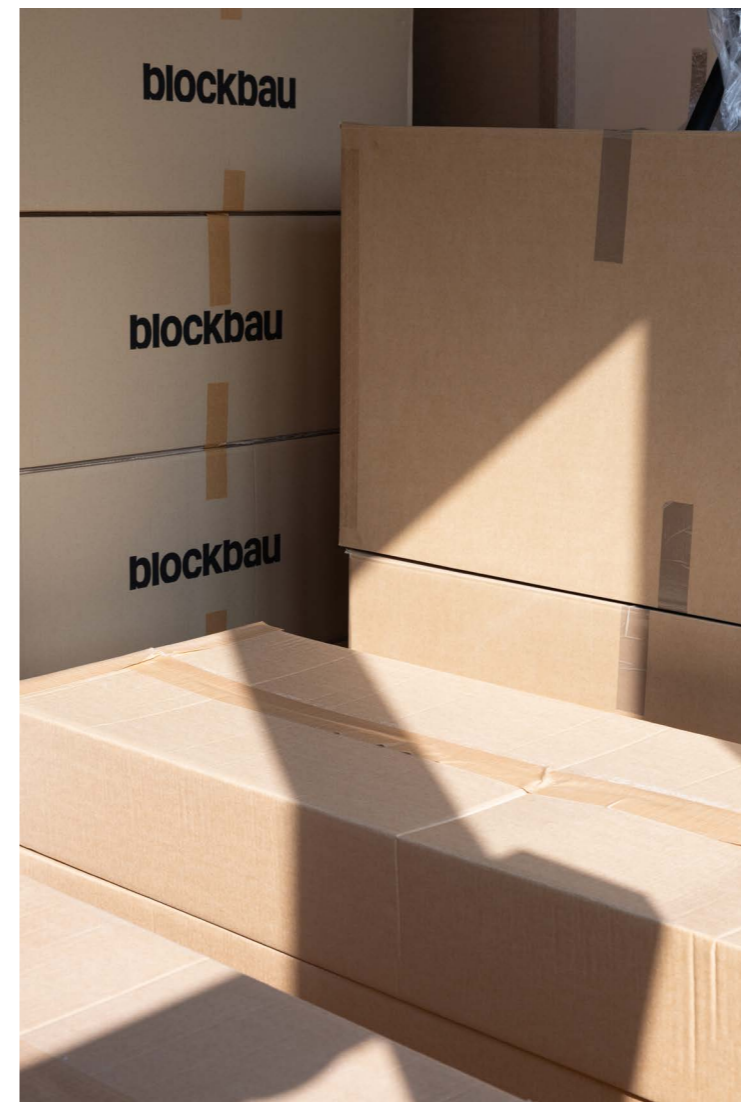
OF FURNITURE. MANY OF THEM ARE FAMILY BUSINESSES AND HAVE BEEN WORKING IN THEIR CRAFT FOR SEVERAL GENERATIONS. PRODUCTION IN GERMANY IS NOT ONLY ECOLOGICALLY RESPONSIBLE, BUT ALSO GUARANTEES HIGH SOCIAL STANDARDS FOR THE PEOPLE WHO MAKE OUR PRODUCTS.



KEVIN RACK
FOUNDED BLOCKBAU IN 2020



TIMELESS, THOUGHT-THROUGH DESIGN IS THE BEST WAY TO CREATE SUSTAINABLE PRODUCTS.



TIMELESS DESIGN

TIMELESS, THOUGHT-THROUGH DESIGN IS THE BEST WAY TO CREATE SUSTAINABLE PRODUCTS. WE RELY ON HIGH QUALITY MANUFACTURING AND CHOICE OF MATERIALS TO CREATE PRODUCTS THAT WILL STAND THE TEST OF TIME.

LOCAL PRODUCTION

THE PRODUCTION OF OUR COLLECTION IN GERMANY IS RESPONSIBLE: IT ENSURES THAT THE PEOPLE WHO MAKE OUR PRODUCTS HAVE A SAFE AND FAIRLY PAID JOB THAT ALSO MEETS HIGH ENVIRONMENTAL STANDARDS. IT IS RESOURCE-OPTIMIZED AND ENABLES A RELIABLE SUPPLY CHAIN WITH SHORT DELIVERY TIMES.

PACKAGING

OUR RESPONSIBILITY AS A COMPANY IS NOT LIMITED TO OUR PRODUCTS BUT ALSO APPLIES TO THEIR PACKAGING, WHICH FOR FURNITURE IS OFTEN RESOURCE-INTENSIVE AND PETROLEUM-BASED. WE COUNTERACT THIS WITH PACKAGING THAT IS BASED ON CARDBOARD AND PAPER TO AVOID THE USE OF PLASTICS.

PACKAGING

OUR ENTIRE COLLECTION IS CONSTRUCTED IN SUCH WAY THAT THE FURNITURE CAN BE LARGELY DISASSEMBLED INTO ITS INDIVIDUAL PARTS. THIS MEANS THAT COMPONENTS CAN BE REPLACED AND THE LIFESPAN OF EACH PRODUCT CAN BE INCREASED. IN ADDITION, LARGE, UNWIELDY PRODUCTS ARE SHIPPED IN INDIVIDUAL PIECES - THIS SAVES VOLUME FOR EVERY DELIVERY.

32 SERIES

32 CHAIR IS A NEW INTERPRETATION OF THE CLASSIC DRAWING STOOL. IN ITS ORIGINAL FORM, REDUCED TO A CROSS FRAME WITH A ROUND SEAT, THE REAR PAIR OF LEGS IS EXTENDED UPWARDS AND ENDS IN A GENTLY CURVED BACKREST.

FORMALLY INDEPENDENT WITH ITS STEEL TUBE OF 32 MILLIMETERS, IT IS A TRIBUTE TO EGON EIERMANN'S DESIGNS FROM THE 1950S. THE FAMILY CONSISTS OF A STOOL, CHAIR AND BAR CHAIRS IN TWO DIFFERENT HEIGHTS. DIFFERENT COATINGS AND SEAT SURFACES CATER FOR

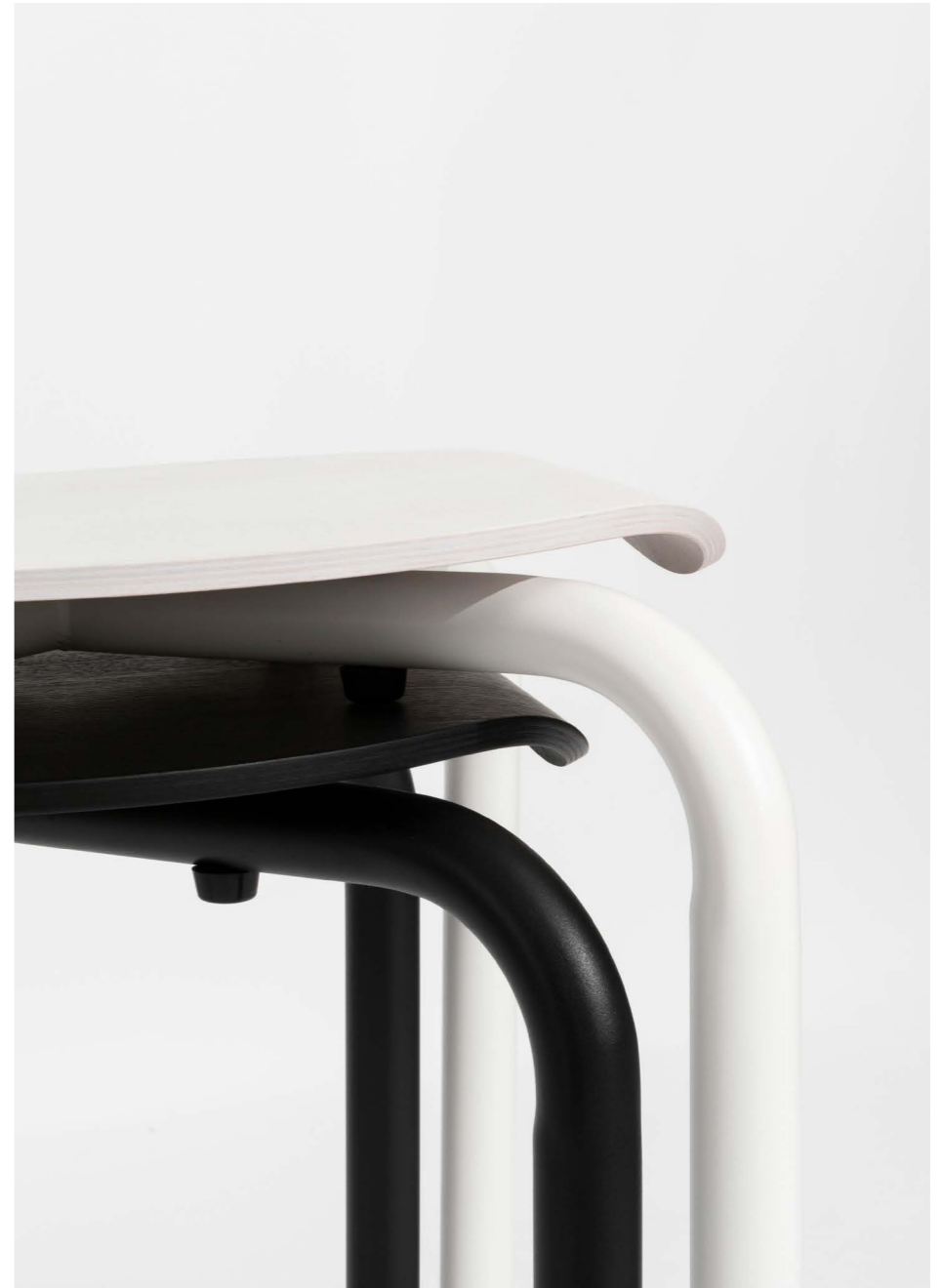
INDOOR AND OUTDOOR USE. THANKS TO ITS ROBUST CONSTRUCTION, IT IS SUITABLE FOR BOTH CAFES AND RESTAURANTS AS WELL AS PRIVATE SPACES.

DESIGN: KEVIN RACK & JOHANN KUHN, 2021





LEFT 32 STOOL ROSE / 32 CHAIR ROSE
RIGHT 32 CHAIR BLACK / 32 BAR CHAIR 65 BLACK



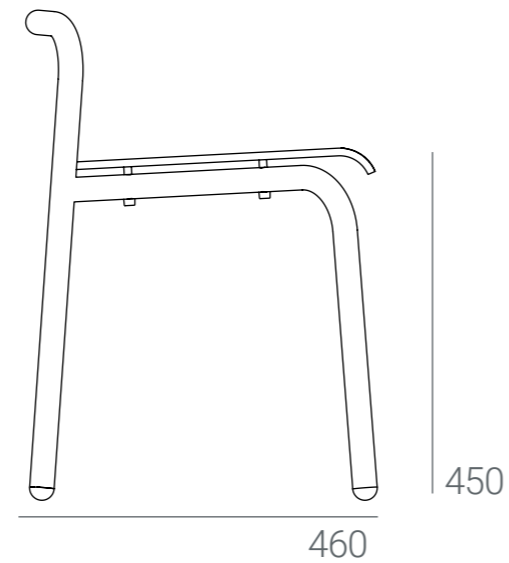
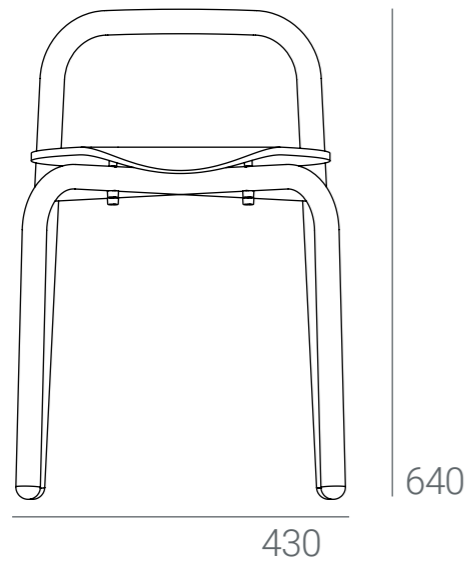
LEFT 32 STOOL WHITE
RIGHT 32 BAR BLACK / WHITE



LEFT 32 CHAIR ROSE / COBALT
RIGHT 32 STOOL BLACK



32 STOOL



DOWNLOAD 2D/3D FILES

SHOP/ DELIVERY TIIMES

ASSEMBLY INSTRUCTIONS

INDOOR EXCL. VAT INCL. VAT DETAILS

● ●	BLACK, ASH, LACQUERED BLACK	412	490	FRAME SEAT GLIDES STACK	STEEL-TUBE, POWDER-COATED LAMINATED WOOD, ASH VENEER, LACQUER PLASTIC, FELT GLIDES OPTIONAL UP TO THREE CHAIRS
●	WHITE, ASH, LACQUERED WHITE				

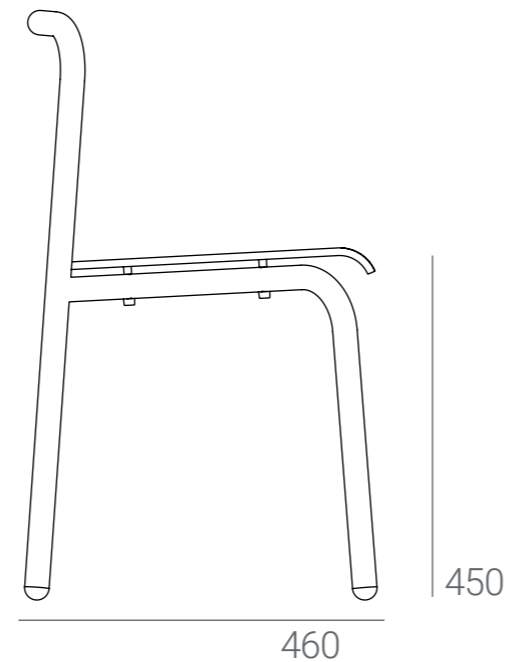
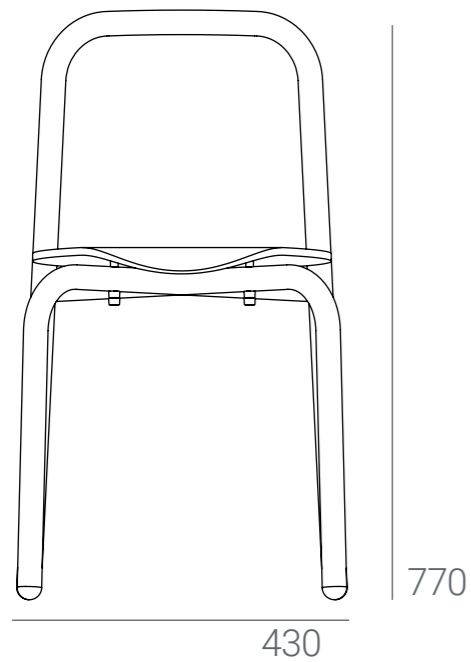
OUTDOOR

●	BLACK – RAL 9005	462	550	FRAME SEAT GLIDES STACK	STEEL-TUBE, GALVANISED & POWDER-COATED SHEET METAL, GALVANISED & POWDER-COATED PLASTIC, FELT GLIDES OPTIONAL UP TO THREE CHAIRS
	WHITE – RAL 9016				
●	COBALT – RAL 5013				
●	ROSE – RAL 3015				

EXTRAS

FELT GLIDES	+ 17	+ 20	NATURAL FELT, BLACK
CUSTOM POWDER-COATING (RAL)	+ 126	+ 150	

32 CHAIR



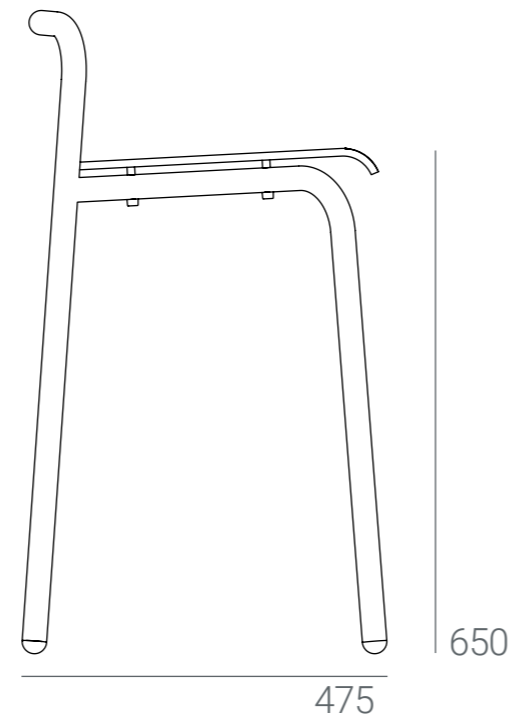
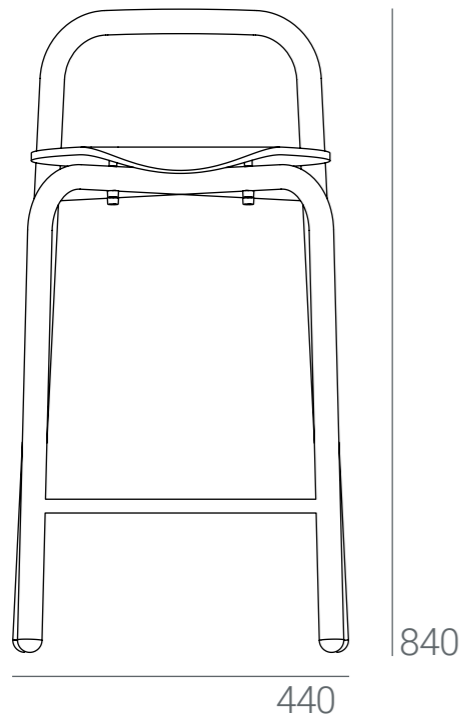
DOWNLOAD 2D/3D FILES

SHOP/ DELIVERY TIMES

ASSEMBLY INSTRUCTIONS

INDOOR		EXCL. VAT	INCL. VAT	DETAILS	
● ●	BLACK, ASH, LACQUERED BLACK	412	490	FRAME SEAT GLIDE STACK	
●	WHITE, ASH, LACQUERED WHITE				STEEL-TUBE, POWDER-COATED LAMINATED WOOD, ASH VENEER, LACQUER PLASTIC, FELT GLIDES OPTIONAL UP TO THREE CHAIRS
OUTDOOR					
●	BLACK – RAL 9005	462	550	FRAME SEAT GLIDE STACK	
	WHITE – RAL 9016				STEEL-TUBE, GALVANISED & POWDER-COATED SHEET METAL, GALVANISED & POWDER-COATED PLASTIC, FELT GLIDES OPTIONAL UP TO THREE CHAIRS
●	COBALT – RAL 5013				
●	ROSE – RAL 3015				
EXTRAS					
	FELT GLIDES	+ 17	+ 20	NATURAL FELT, BLACK	
	CUSTOM POWDER-COATING (RAL)	+ 126	+ 150		

32 BAR CHAIR, 65CM



DOWNLOAD 2D/3D FILES

SHOP/ DELIVERY TIMES

ASSEMBLY INSTRUCTIONS

INDOOR EXCL. VAT INCL. VAT DETAILS

- ● BLACK, ASH, LACQUERED BLACK
- WHITE, ASH, LACQUERED WHITE

496

590

FRAME STEEL-TUBE, POWDER-COATED
SEAT LAMINATED WOOD, ASH VENEER, LACQUER
GLIDE PLASTIC, FELT GLIDES OPTIONAL
STACK UP TO THREE CHAIRS

OUTDOOR

- BLACK – RAL 9005
- WHITE – RAL 9016
- COBALT – RAL 5013
- ROSE – RAL 3015

580

690

FRAME STEEL-TUBE, GALVANISED & POWDER-COATED
SEAT SHEET METAL, GALVANISED & POWDER-COATED
GLIDE PLASTIC, FELT GLIDES OPTIONAL
STACK UP TO THREE CHAIRS

EXTRAS

FELT GLIDES

+ 17

+ 20

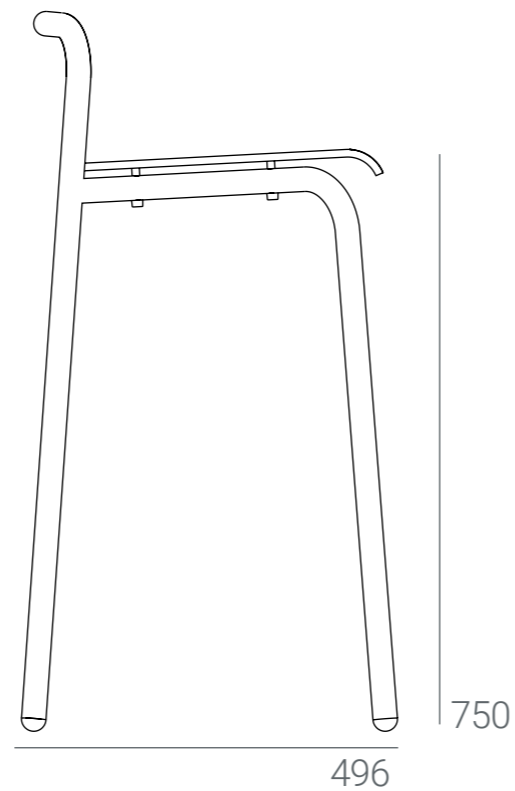
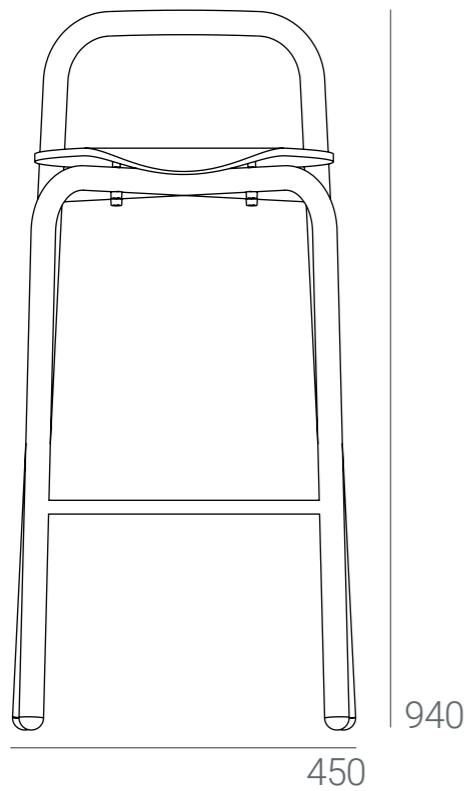
NATURAL FELT, BLACK

CUSTOM POWDER-COATING (RAL)

+ 126

+ 150

32 BAR CHAIR, 75CM



[DOWNLOAD 2D/3D FILES](#)

[SHOP/ DELIVERY TIMES](#)

[ASSEMBLY INSTRUCTIONS](#)

INDOOR

- ● BLACK, ASH, LACQUERED BLACK
- WHITE, ASH, LACQUERED WHITE

OUTDOOR

- BLACK – RAL 9005
- WHITE – RAL 9016
- COBALT – RAL 5013
- ROSE – RAL 3015

EXTRAS

FELT GLIDES	+ 17	+ 20	NATURAL FELT, BLACK
CUSTOM POWDER-COATING (RAL)	+ 126	+ 150	

EXCL. VAT

INCL. VAT

DETAILS

FRAME STEEL-TUBE, POWDER-COATED
SEAT LAMINATED WOOD, ASH VENEER, LACQUER
GLIDE PLASTIC, FELT GLIDES OPTIONAL
STACK UP TO THREE CHAIRS

FRAME STEEL-TUBE, GALVANISED & POWDER-COATED
SEAT SHEET METAL, GALVANISED & POWDER-COATED
GLIDE PLASTIC, FELT GLIDES OPTIONAL
STACK UP TO THREE CHAIRS

32 ARMCHAIR

32 ARMCHAIR IS THE NEWEST MEMBER OF THE 32 FAMILY. TYPICAL FOR THE SERIES: SIMPLE SHAPES, FRESH COLORS - AND A FRAME MADE OF BENT TUBULAR STEEL, 32 MM THICK. ALL FURNITURE IN THE SERIES APPEARS LIGHT AND ROBUST AT THE SAME TIME. THAT'S WHY THEY'RE JUST AS SUITABLE FOR PRIVATE USE AS THEY ARE FOR CAFÉS, RESTAURANTS AND PUBLIC SPACES.

THERE ARE A VARIETY OF FABRIC OPTIONS FOR THE ROUND SEAT AND BACK CUSHIONS - FROM DELICATE PASTEL SHADES TO STRONG, LIVELY FABRICS. FOR THE FIRST TIME, BLOCKBAU IS WORKING WITH MATERIALS FROM THE FAMILY BUSINESS SVENSSON. OTHER FABRIC VARIANTS

COME FROM KVADRAT AND SAHCO.

LIKE ITS SIBLINGS, THE FRAME OF THE 32 ARMCHAIR IS MANUFACTURED IN BAVARIA AND IS EITHER CHROME-PLATED OR COLORFULLY POWDER-COATED. A FAMILY BUSINESS IN THE SWABIAN ALB PROCESSES THE COVERS. LIKE ALL BLOCKBAU FURNITURE, THIS NEW ADDITION WAS DESIGNED AND MADE IN SOUTHERN GERMANY.

DESIGN. KEVIN RACK, 2023

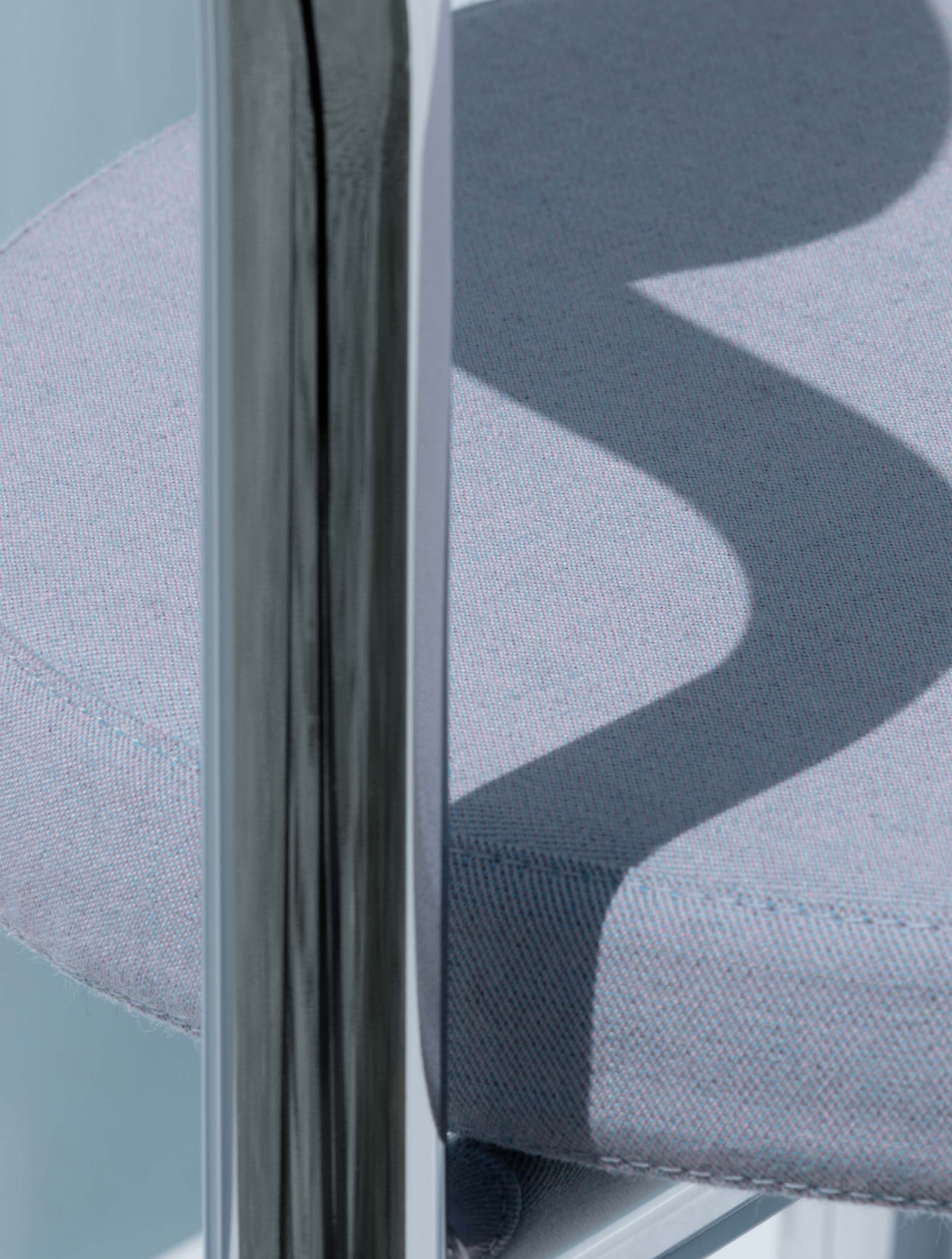




LEFT 32 ARMCHAIR CHROME / LIGHT BLUE CODY
REIGHT 32 ARMCHAIR COBALT / BLUE VIDAR

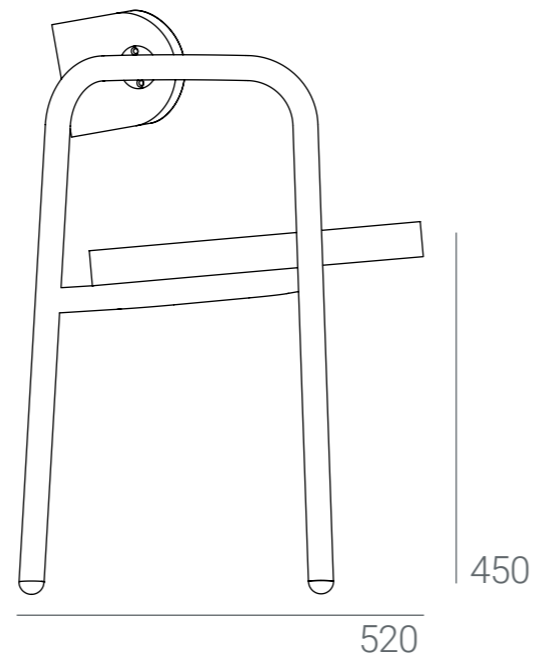
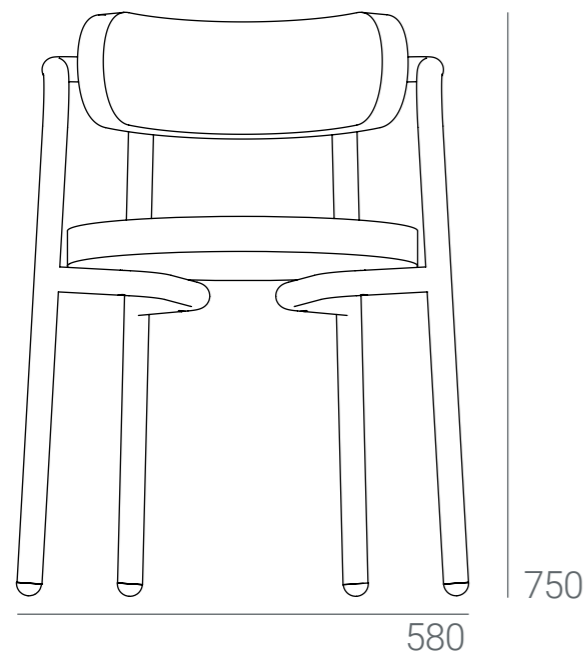


LEFT 32 ARMCHAIR CHROME / CREME ELLE
RIGHT 32 ARMCHAIR CHROME / LIGHT BLUE CODY



LEFT 32 ARMCHAIR CHROME / LIGHT BLUE CODY
RIGHT 32 ARMCHAIR CHROME / LIGHT BLUE CODY

32 ARMCHAIR



DOWNLOAD 2D/3D FILES














SHOP/ DELIVERY TIMES

ASSEMBLY INSTRUCTIONS

BASE VERSION	EXCL. VAT	INCL. VAT	DETAILS
POWDER-COATING (RAL), FABRIC GROUP I	832	990	FRAME STEEL-TUBE, POWDER-COATED OR CHROME-PLATED
FRAME SURFACE			CUSHION LAMINATED WOOD, PUR-FOAM, FABRIC
POWDER-COATED (RAL)	0	0	GLIDES PLASTIC, FELT OPTIONAL
CHROME-PLATED	+ 84	+ 100	DETAILS CAN BE REMOVED
FABRICS			
GROUP I	0	0	
GROUP II	+ 186	+ 200	
GROUP III	+ 252	+ 300	

32 ARMCHAIR

18
OVERVIEW

FRAME	EXCL. VAT	INCL. VAT
 BLACK – RAL 9005	0	0
 COBALT – RAL 5013	0	0
 ROSE – RAL 3015	0	0
 WHITE – RAL 9016	0	0
 CHROME-PLATED	+ 84	+ 100
FABRIC GROUP I	0	0
 LIGHT BLUE - CODY 4522		
 DARK BLUE - CODY 4462		
 ANTHRACITE – CODY 8800		
FABRIC GROUP II	+ 186	+ 200
 BLUE – VIDAR 772		
 GREEN – VIDAR 0932		
 ROSE – VIDAR 622		
FABRIC GROUP III	+ 252	+ 300
 CREME – ELLE 200		
 BLACK – VIDAR 1880		
EXTRAS	+ 126	+150
CUSTOM POWDER-COATING (RAL)	+ 126	+150
CUSTOM FABRIC	+ 210	+250

22.24 ARMCHAIR

22.24 ARMCHAIR IS MADE OF ONLY ONE MATERIAL: BENT STEEL TUBE. ITS SIMPLE APPEARANCE DESCRIBES THE ABSOLUTELY NECESSARY WITH EVERY BENDING.

THE PERFECT INTERPLAY OF FORM AND FUNCTION ENABLES THE SEAT SHELL AND THE BASE TO BE CONNECTED WITH JUST ONE MOVEMENT. THE SLATS THAT OVERLAP ON THE SIDE FORM INVITING ARMRESTS, WHICH IN COMBINATION WITH THE BACK AND SEAT CUSHION ALLOW COMFORTABLE SITTING.

THROUGH THE BOLD COLOR PALETTE AND THE SEPARATE UPHOLSTERY, NEARLY ENDLESS COLOR COMBINATIONS CAN BE REALIZED. IT CAN BE USED FOR INDOOR AND OUTDOOR SPACES ALIKE.

DESIGN: KEVIN RACK & JOHANN KUHN, 2019





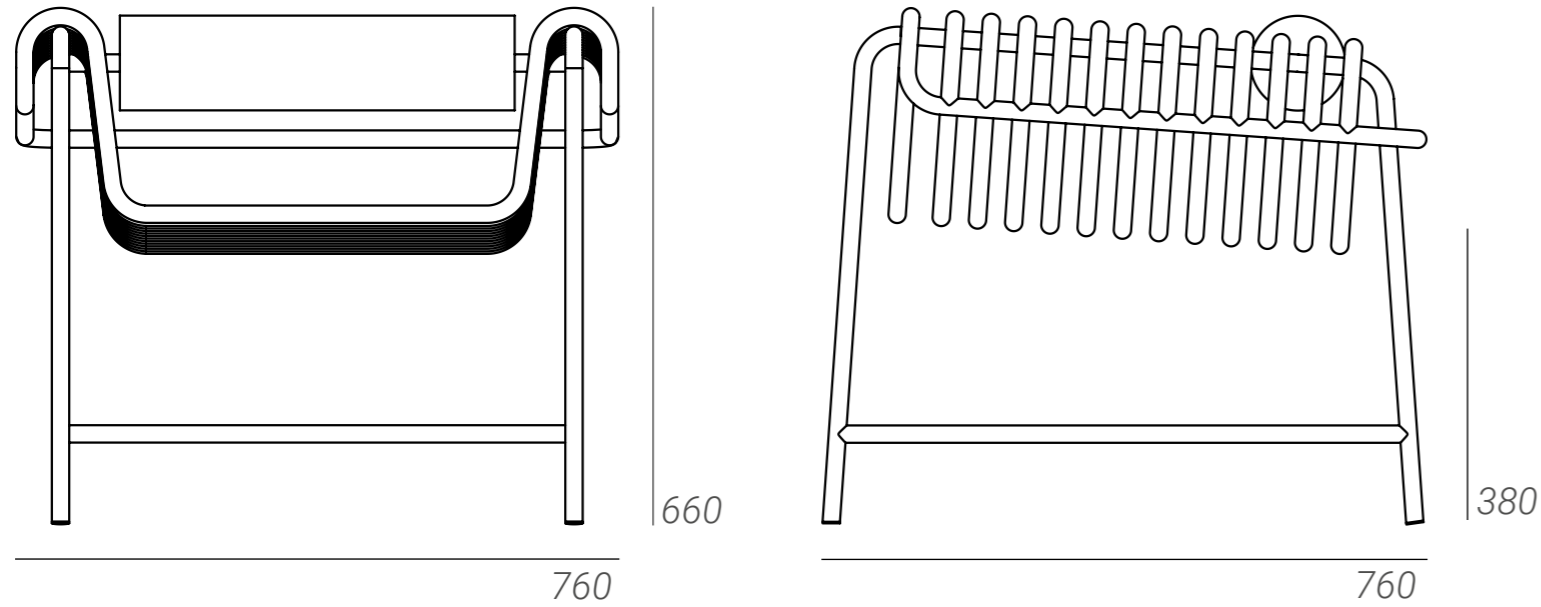


LEFT 22.24 ARMCHAIR COBALT / BLUE VIDAR
RIGHT 22.24 ARMCHAIR COBALT / BLUE VIDAR



LEFT 22.24 ARMCHAIR BLACK
RIGHT 22.24 ARMCHAIR BLACK / RADIUS TABLE S BLACK

22.24 ARMCHAIR



DOWNLOAD 2D/3D FILES

SHOP/ DELIVERY TIMES

ASSEMBLY INSTRUCTIONS

FRAME SURFACE

- BLACK – RAL 9005
- COBALT – RAL 5013
- GREEN – RAL 6017
- WHITE – RAL 9016

EXCL. VAT

INCL. VAT

DETAILS

FRAME STEEL-TUBE, GALVANISED & POWDER-COATED
SEAT STEEL-TUBE, GALVANISED & POWDER-COATED
GLIDES PLASTIC, FELT OPTIONAL
DETAILS SUITABLE FOR OUTDOOR USE

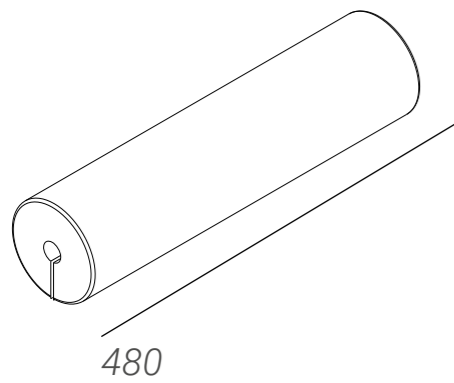
EXTRAS

BESCHICHTUNG IN KUNDENSPEZIFISCHER
RAL-FARBE

+ 294

+ 350







22.24 BACK CUSHION



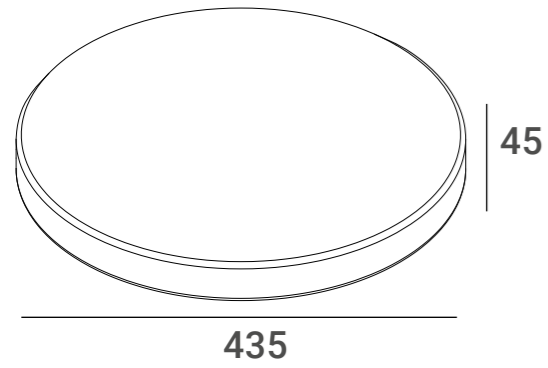
DOWNLOAD 2D/3D FILES

SHOP/ DELIVERY TIMES

ASSEMBLY INSTRUCTIONS

FABRIC		EXCL. VAT	INCL. VAT	DETAILS
	GREEN - VIDAR 0932	0	0	FOAM FABRIC DETAILS PUR-COLD FOAM KVADRAT VIDAR, 94% NEW WOOL, 6% NYLON REMOVABLE COVER ATTACHABLE, WITH VELCRO FIXING NOT SUITABLE FOR OUTDOOR USE
	ROSE - VIDAR 0622			
	BLUE - VIDAR 0772			
	BLACK BLUE - VIDAR 0554			
	LIGHT GRAY - VIDAR 0123			
	DARK GRAY - VIDAR 0152			
EXTRAS				
	CUSTOM FABRIC	+ 126	+ 150	







22.24 SEAT CUSHION



DOWNLOAD 2D/3D FILES

SHOP/ DELIVERY TIMES

ASSEMBLY INSTRUCTIONS

FABRIC		EXCL. VAT	INCL. VAT	DETAILS
	GREEN - VIDAR 0932	210	250	FOAM FABRIC DETAILS PUR-COLD FOAM KVADRAT VIDAR, 94% NEW WOOL, 6% NYLON REMOVABLE COVER ATTACHABLE, WITH VELCRO FIXING NOT SUITABLE FOR OUTDOOR USE
	ROSE - VIDAR 0622			
	BLUE - VIDAR 0772			
	BLACK BLUE - VIDAR 0554			
	LIGHT GRAY - VIDAR 0123			
	DARK GRAY - VIDAR 0152			
EXTRAS				
	CUSTOM FABRIC	+ 126	+ 150	

22.9 DAYBED

DAYBED 22.9 PLAYS WITH THE FINE ARCHES AND CLEAR LINES OF THE ARMCHAIR 22.24 AND TRANSPORTS THEM INTO THE TYPOLOGY OF A DAYBED.

THE ELONGATED LYING SURFACE, WHICH ENDS IN A SEMICIRCLE AT BOTH ENDS, IS SURROUNDED BY A STEEL TUBE THAT EITHER MATCHES OR CONTRASTS THE COLOR OF THE FABRIC. THANKS TO THE DELI-

CATE LEGS, THE SEAT APPEARS TO FLOAT GENTLY ABOVE THE FLOOR. IT IS COMPLEMENTED BY A SOFTLY PADDED TUBULAR CUSHION THAT CAN BE FREELY POSITIONED.

DESIGN: KEVIN RACK, 2022





LEFT 22.9 DAYBED CHROME / ROSE VIDAR
RIGHT 22.9 DAYBED CHROM / ROSE VIDAR

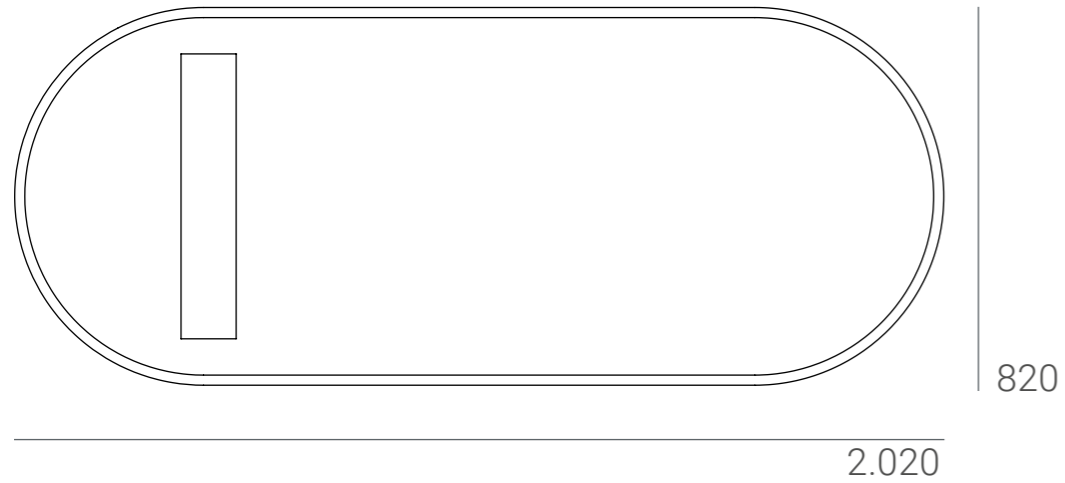


LEFT 22.9 DAYBED COBALT / BLUE VIDAR
RIGHT 22.9 DAYBED COBALT / RADIUS TABLE S COBALT



LEFT 22.9 DAYBED CREME ELLE
RIGHT 22.9 DAYBED WHITE CREME ELLE / 32 STOOL WHITE

22.9 DAYBED



[DOWNLOAD 2D/3D FILES](#)

[SHOP/ DELIVERY TIMES](#)

[ASSEMBLY INSTRUCTIONS](#)




BASE VERSION	EXCL. VAT	INCL. VAT	DETAILS
POWDER-COATED (RAL), FABRIC GROUP I	2.437	2.900	FRAME STEEL-TUBE POWDER COATED OR CHROME-PLATED
FRAME SURFACE			CUSHION FIBRE BOARD, PUR-FOAM, FABRIC
POWDER-COATED (RAL)	0	0	GLIDES PLASTIC, FELT OPTIONAL
CHROME-PLATED	+ 84	+ 100	DETAILS CAN BE REMOVED
FABRIC			
GROUP I	0	0	
GROUP II	+ 294	+ 350	
GROUP III	+ 588	+ 700	

22.9 DAYBED


FRAME

	EXCL. VAT	INCL. VAT
 BLACK – RAL 9005	0	0
 COBALT – RAL 5013		
 WHITE – RAL 9016		
 CHROME-PLATED	+ 84	+ 100

FABRIC GROUP I

 LIGHT BLUE - CODY 4522	0	0
 DARK BLUE - CODY 4462		
 ANTHRACITE – CODY 8800		

FABRIC GROUP II

 BLUE – VIDAR 772	+ 294	+ 350
 GRAY – VIDAR 123		
 ROSE – VIDAR 622		

FABRIC GROUP III

 CREME – ELLE 200	+ 588	+ 700
 BLACK – VIDAR 1880		

EXTRAS

CUSTOM POWDER-COATING (RAL)	+ 294	+ 350
CUSTOM FABRIC	+ 126	+ 150

80/100

32
OVERVIEW

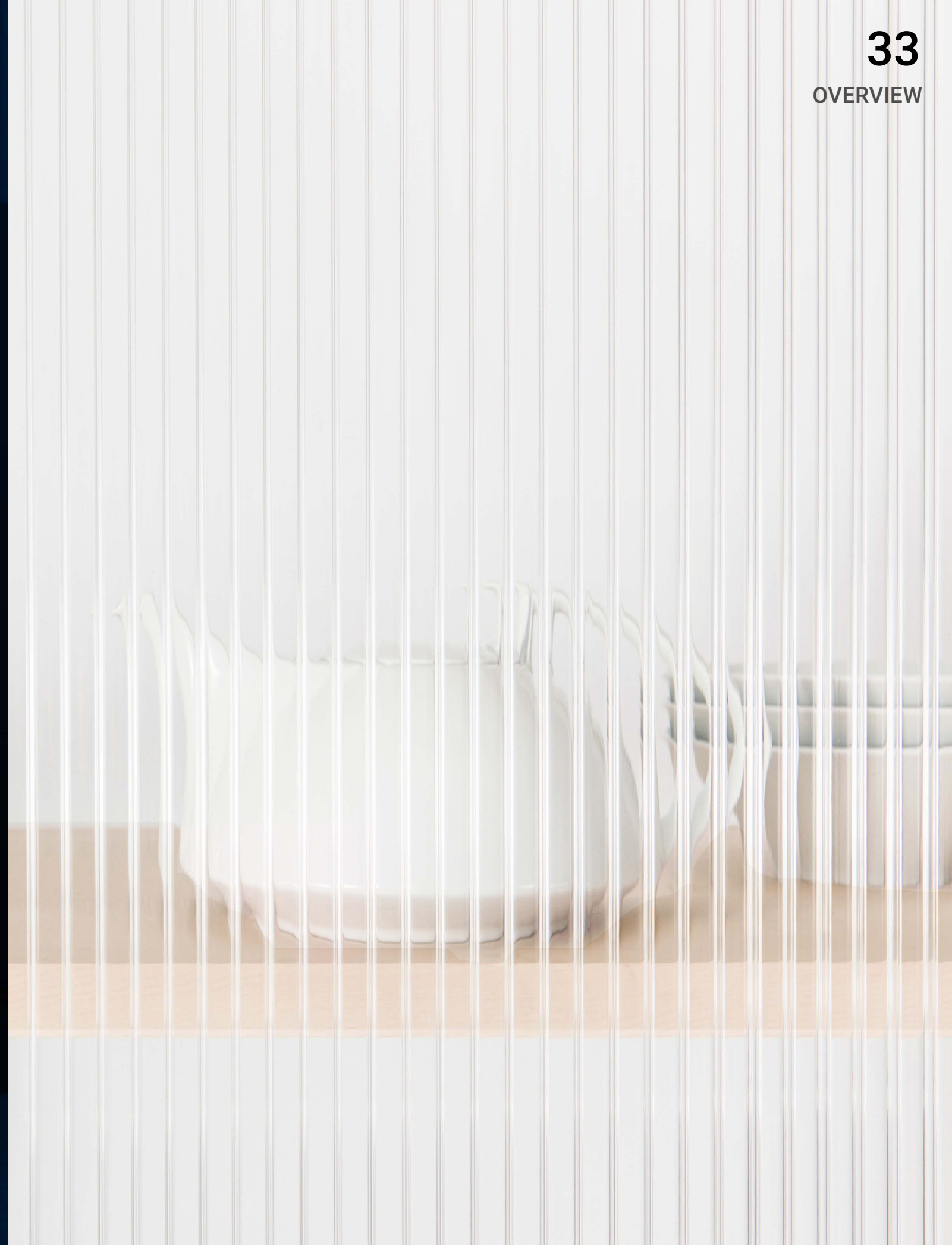
80/100 IS A STORAGE SYSTEM MADE OF SOLID WOOD AND POLYCARBONATE. THROUGH THE VERTICAL SLATS OF THE NEARLY TRANSPARENT MATERIAL, IT ALLOWS A NEW PERSPECTIVE OF THE STORED ITEMS WITHOUT IMMEDIATELY REVEALING THEM.

THE EQUIVALENT VIEW OF ALL FOUR SIDES MAKES IT THE IDEAL ROOM DIVIDER AND ALLOWS INTERESTING VIEWING AXES.

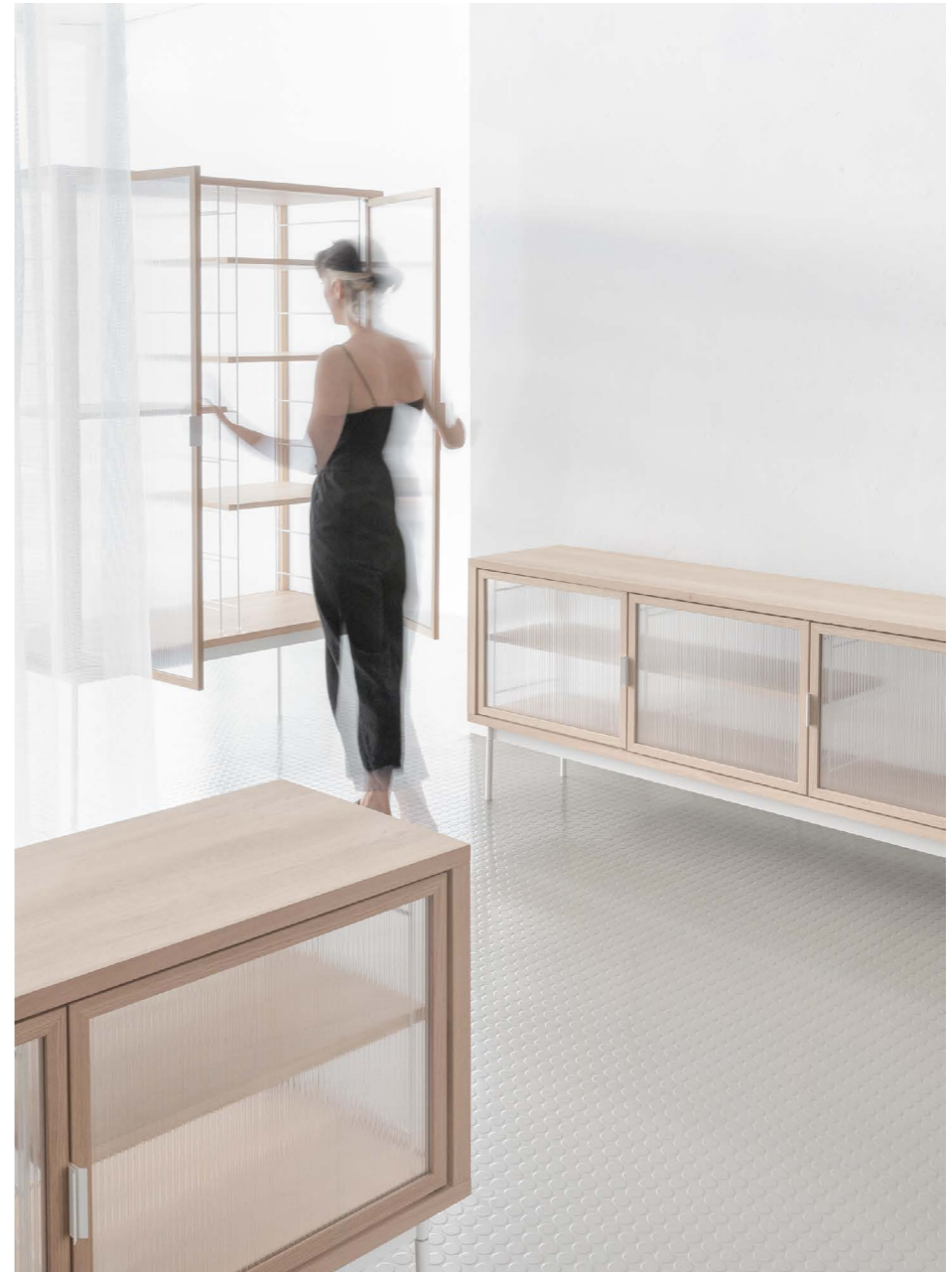
THE INTERIOR OF THE SIDE- AND HIGHBOARDS IS STRUCTURED BY POWDER COATED LADDERS AND CAN BE EQUIPPED WITH SHELVES OR CLOTHES RAILS.

DESIGN: KEVIN RACK & JOHANN KUHN, 2020

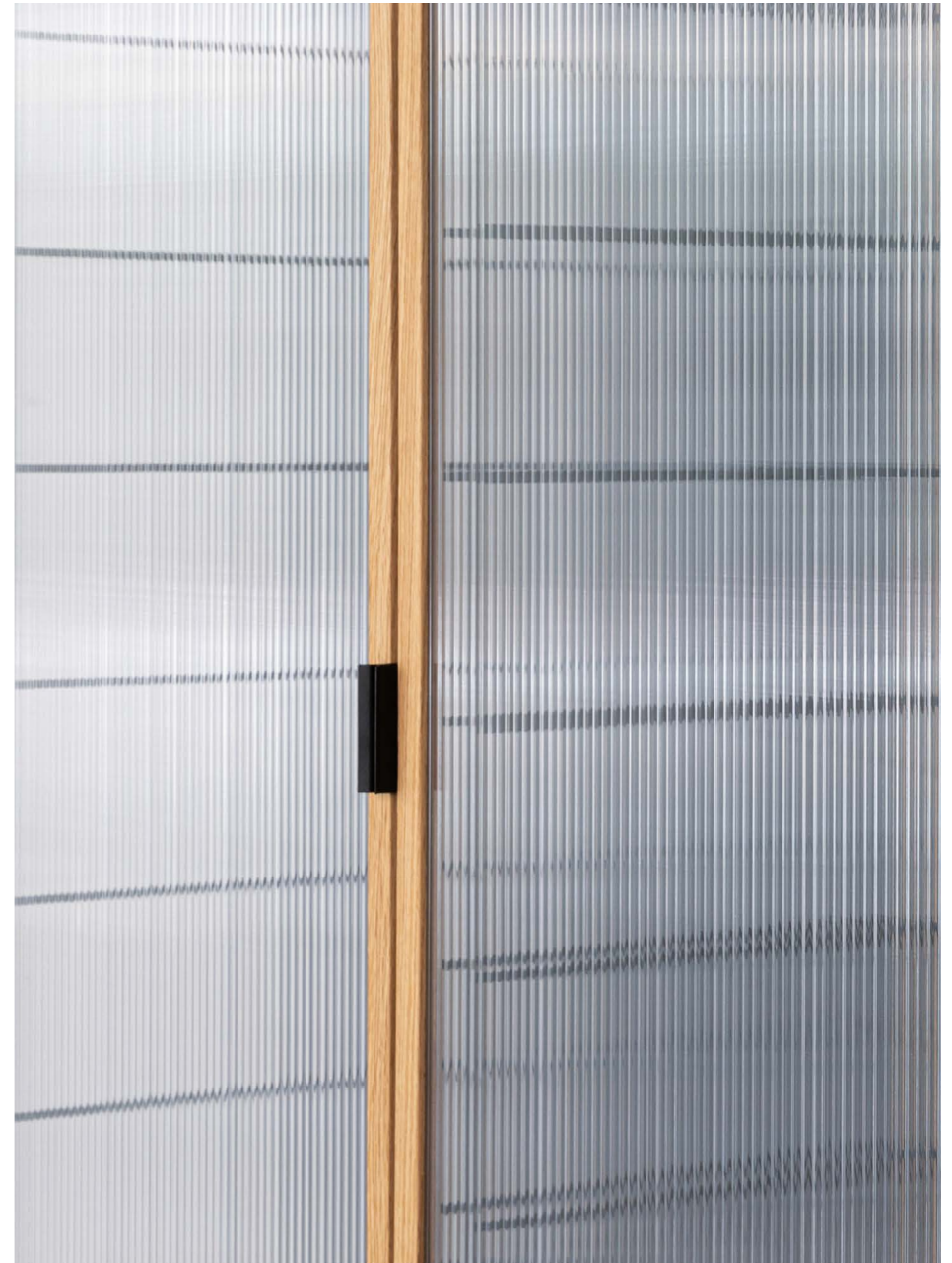




LEFT **80/100 CABINET** EUR. OAK WHITE / WHITE
RIGHT **80/100 SIDEBOARD** EUR. OAK WHITE / WHITE

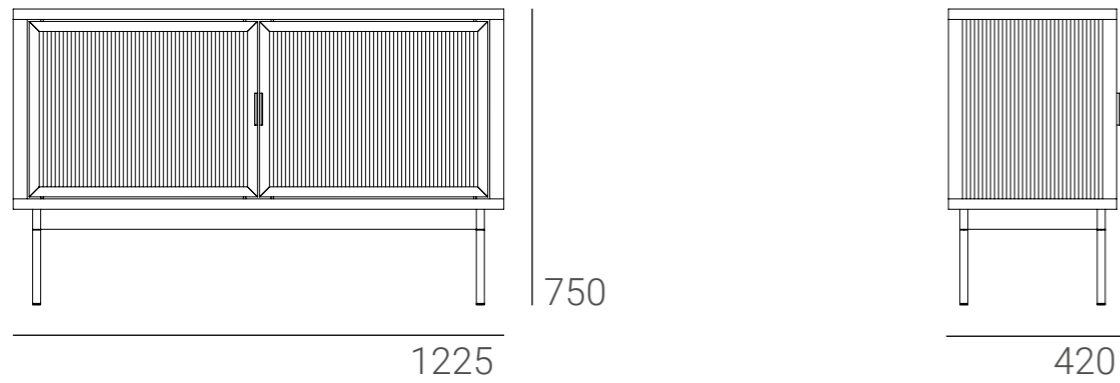


LEFT 80/100 CABINET EUR. OAK NATURAL / BLACK
RIGHT 80/100 SIDEBOARD / CABINET EUR. OAK WHITE / WHITE



LEFT 80/100 SIDEBOARD TRIPLE EUR. OAK NATURAL / BLACK
RIGHT 80/100 CABINET EUR. OAK NATURAL / BLACK

80/100 SIDEBOARD






DOWNLOAD 2D/3D FILES

SHOP/ DELIVERY TIMES

ASSEMBLY INSTRUCTIONS

VARIANTS

-   EUR. OAK, OILED | BLACK RAL 9005
-  EUR. OAK, OILED WHITE | WHITE RAL 9016

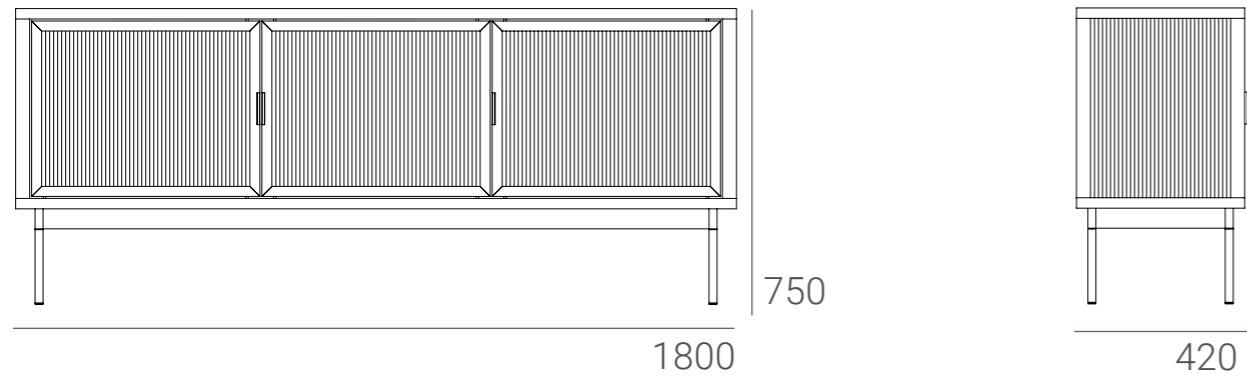
EXCL. VAT

INCL. VAT

DETAILS

CORPUS	SOLID WOOD, POLYCARBONATE
PROFILE	MDF, VENEERED AND OILED
LADDER	STEEL, POWDER-COATED
FRAME	STEEL, POWDER-COATED
DETAIL	HEIGHT-ADJUSTABLE GLIDES

80/100 SIDEBOARD






DOWNLOAD 2D/3D FILES

SHOP/ DELIVERY TIMES

ASSEMBLY INSTRUCTIONS

VARIANTS

-   EUR. OAK, OILED | BLACK RAL 9005
-  EUR. OAK, OILED WHITE | WHITE RAL 9016

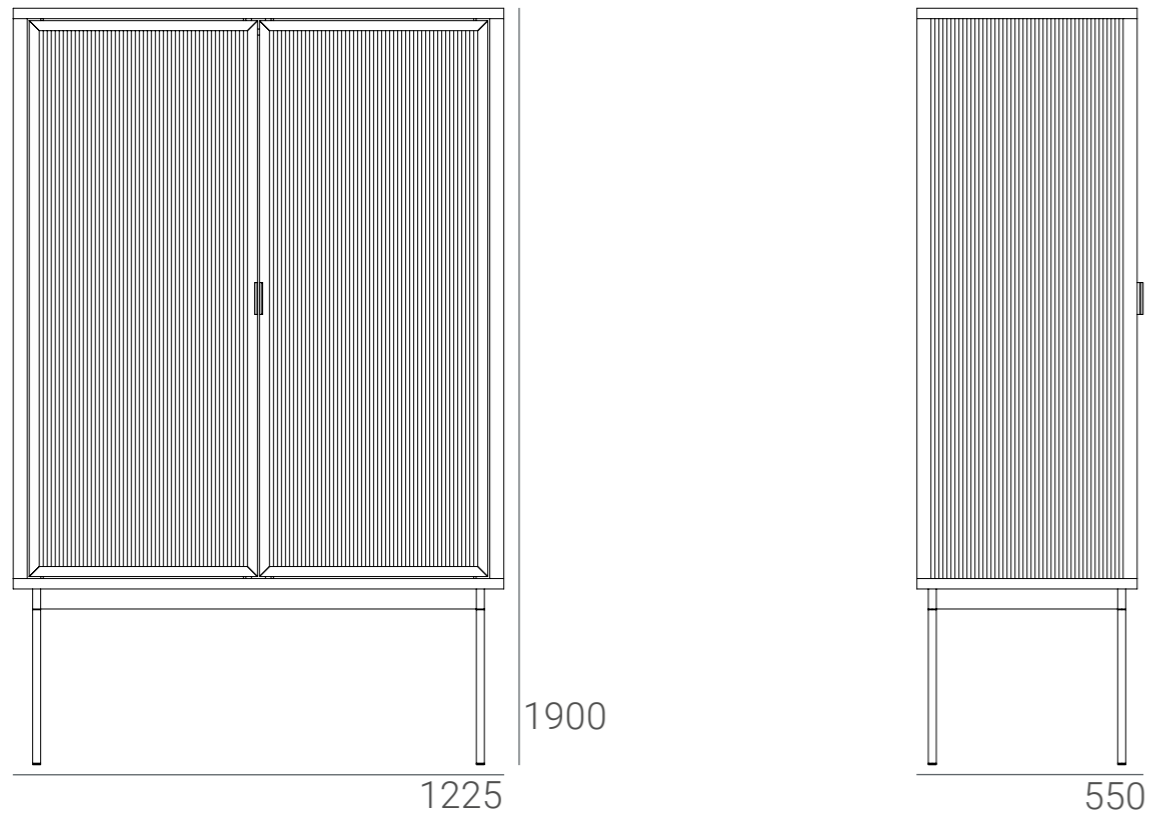
EXCL. VAT

INCL. VAT

DETAILS

CORPUS MASSIVHOLZ, POLYCARBONAT
PROFILE MDF, FUNIERT UND GEÖLT
LADDER STAHL, PULVERBESCHICHTET
FRAME STAHL, PULVERBESCHICHTET
DETAIL HEIGHT-ADJUSTABLE GLIDES

80/100 CABINET






[DOWNLOAD 2D/3D FILES](#)

[SHOP/ DELIVERY TIMES](#)

[ASSEMBLY INSTRUCTIONS](#)

VARIANTS

-   EUR. OAK, OILED | BLACK RAL 9005
-  EUR. OAK, OILED WHITE | WHITE RAL 9016

EXCL. VAT

INCL. VAT

DETAILS

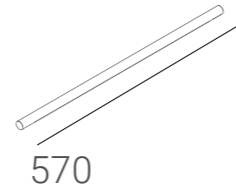
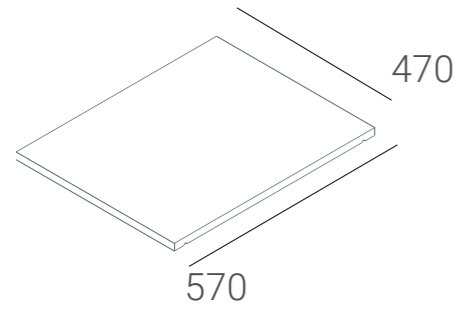
2.765

3.290

CORPUS
PROFILE
LADDER
FRAME
DETAIL

MASSIVHOLZ, POLYCARBONAT
MDF, FUNIERT UND GEÖLT
STAHL, PULVERBESCHICHTET
STAHL, PULVERBESCHICHTET
HEIGHT-ADJUSTABLE GLIDES

80/100 ADD-ONS



DOWNLOAD 2D/3D FILES

SHOP/ DELIVERY TIMES

ASSEMBLY INSTRUCTIONS

SHELF FOR CABINET



EUR. OAK, OILED

EXCL. VAT

88

INCL. VAT

105

DETAILS

CORE
SURFACE
LOCKING

MDF
OAK VENEER, OILED
NOTCHES ON THE UNDERSIDE



EUR. OAK, OILED WHITE

CLOTHES RAIL



EUR. OAK, OILED

80

95

MATERIAL
LOCKING

SOLID WOOD, OILED
MAGNETS AND NOTCHES ON THE UNDERSIDE



EUR. OAK, OILED WHITE

SHELF FOR SIDEBOARD



EUR. OAK, OILED

80

95

CORE
SURFACE
LOCKING

MDF
OAK VENEER, OILED
NOTCHES ON THE UNDERSIDE



EUR. OAK, OILED WHITE

32 CAFÉ TABLE

THE DESIGN OF THE 32 CAFÉ TABLE COMBINES THE CLEAN, YET PLAYFUL DESIGN OF THE 32 SERIES IN A CLASSIC BISTRO TABLE. THE TABLE TOP, ROUND OR SQUARE, RESTS ON A CROSS SHAPED BASE MADE OF 32 MM STEEL TUBE. THE 32 CAFÉ TABLE IS AVAILABLE IN FOUR COLORS: WHITE, ROSE, COBALT AND BLACK. PARTICULARLY PRACTICAL: THANKS TO THE GALVANIZING AND SUBSEQUENT POWDER COATING OF THE SURFACES, THE TABLE CAN BE USED IN A VARIETY OF SPACES: IN PRIVA-

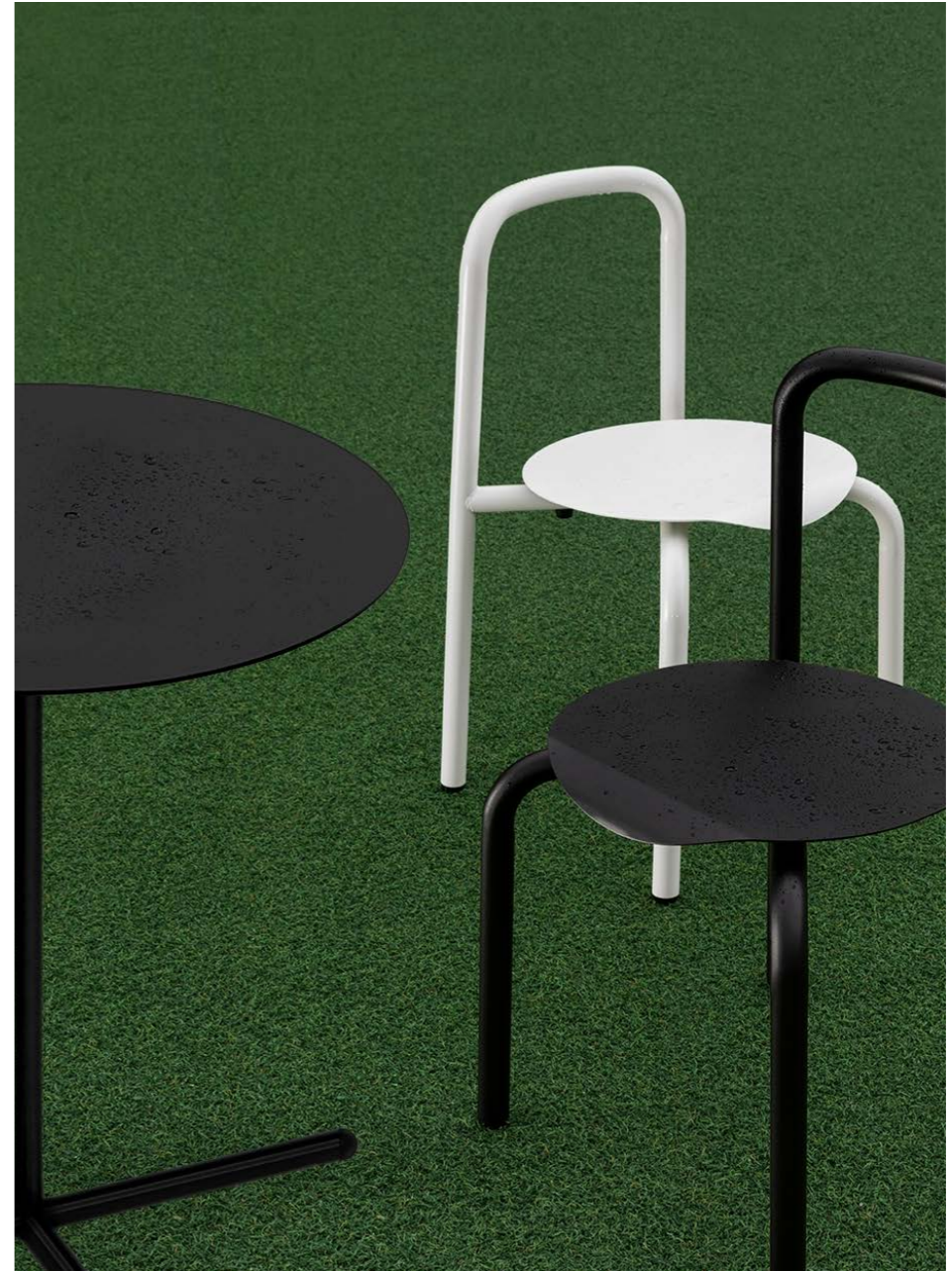
TE OR PUBLIC ROOMS, INDOORS OR OUTDOORS. LIKE ALL BLOCKBAU FURNITURE, THIS NEW ADDITION IS DESIGNED AND PRODUCED IN SOUTHERN GERMANY.

DESIGN: KEVIN RACK, 2024





LEFT **CAFÉ TABLE BLACK**
RIGHT **CAFÉ TABLE BLACK / 32 CHAIR BLACK**

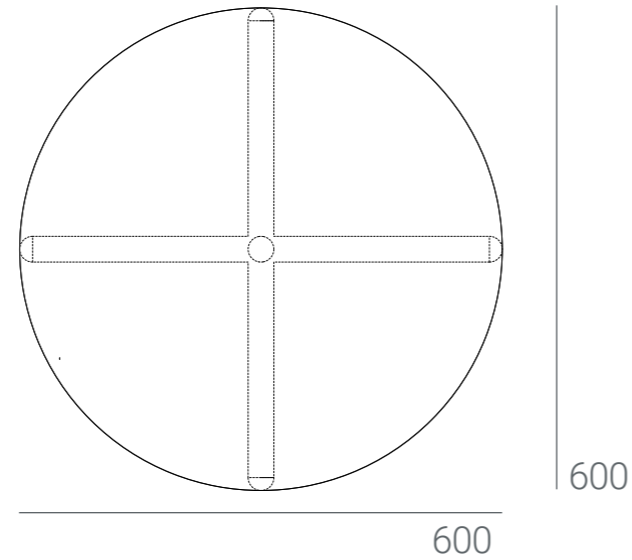
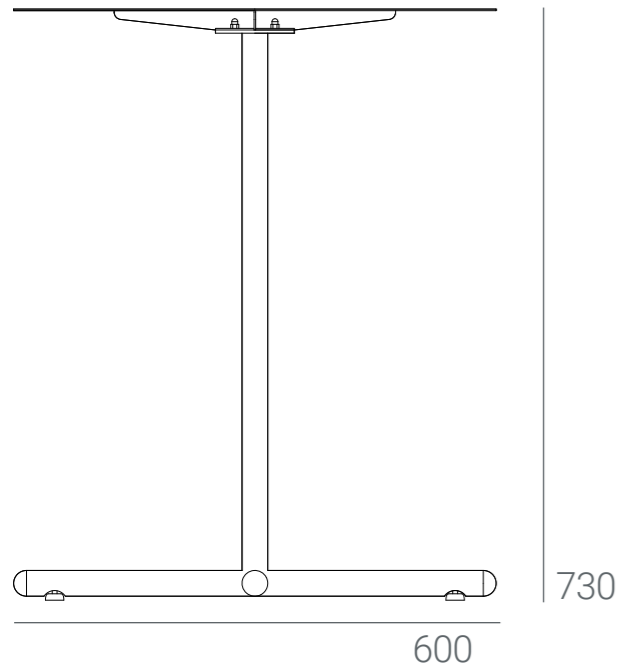


LEFT **CAFÉ TABLE WHITE**
RIGHT **CAFÉ TABLE BLUE**



LEFT **CAFÉ TABLE BLACK / 32 CHAIR BLACK**
RIGHT **CAFÉ TABLE BLUE**

32 CAFÉ TABLE ROUND



DOWNLOAD 2D/3D FILES

SHOP/ DELIVERY TIMES

ASSEMBLY INSTRUCTIONS

OUTDOOR

- BLACK – RAL 9005
- WHITE – RAL 9016
- COBALT – RAL 5013
- ROSE – RAL 3015

EXCL. VAT

INCL. VAT

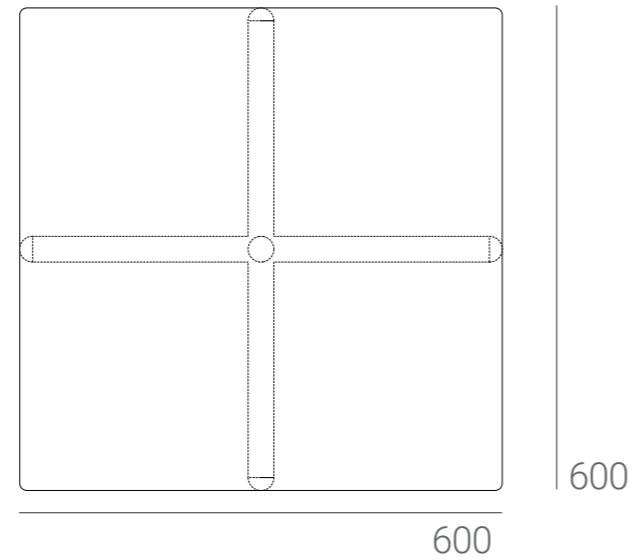
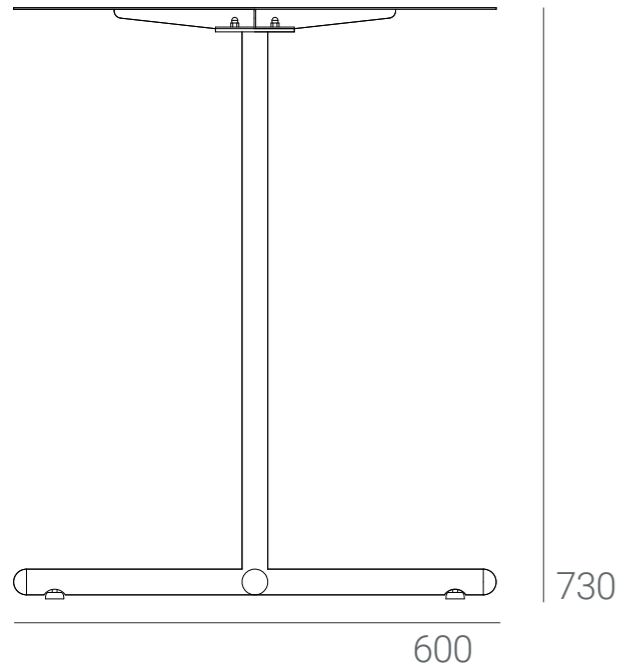
DETAILS

FRAME STEEL-TUBE, GALVANISED & POWDER-COATED
TOP SHEET METAL, GALVANISED & POWDER-COATED
GLIDES PLASTIC, FELT GLIDES OPTIONAL

EXTRAS

FELT GLIDES	+ 17	+ 20	NATURAL FELT, BLACK
CUSTOM POWDER-COATING (RAL)	+ 126	+ 150	

32 CAFÉ TABLE SQUARE



DOWNLOAD 2D/3D FILES

SHOP/ DELIVERY TIMES

ASSEMBLY INSTRUCTIONS

OUTDOOR

- BLACK – RAL 9005
- WHITE – RAL 9016
- COBALT – RAL 5013
- ROSE – RAL 3015

EXCL. VAT

INCL. VAT

DETAILS

FRAME STEEL-TUBE, GALVANISED & POWDER-COATED
TOP SHEET METAL, GALVANISED & POWDER-COATED
GLIDES PLASTIC, FELT GLIDES OPTIONAL

EXTRAS

FELT GLIDES

+ 17

+ 20

NATURAL FELT, BLACK

CUSTOM POWDER-COATING (RAL)

+ 126

+ 150

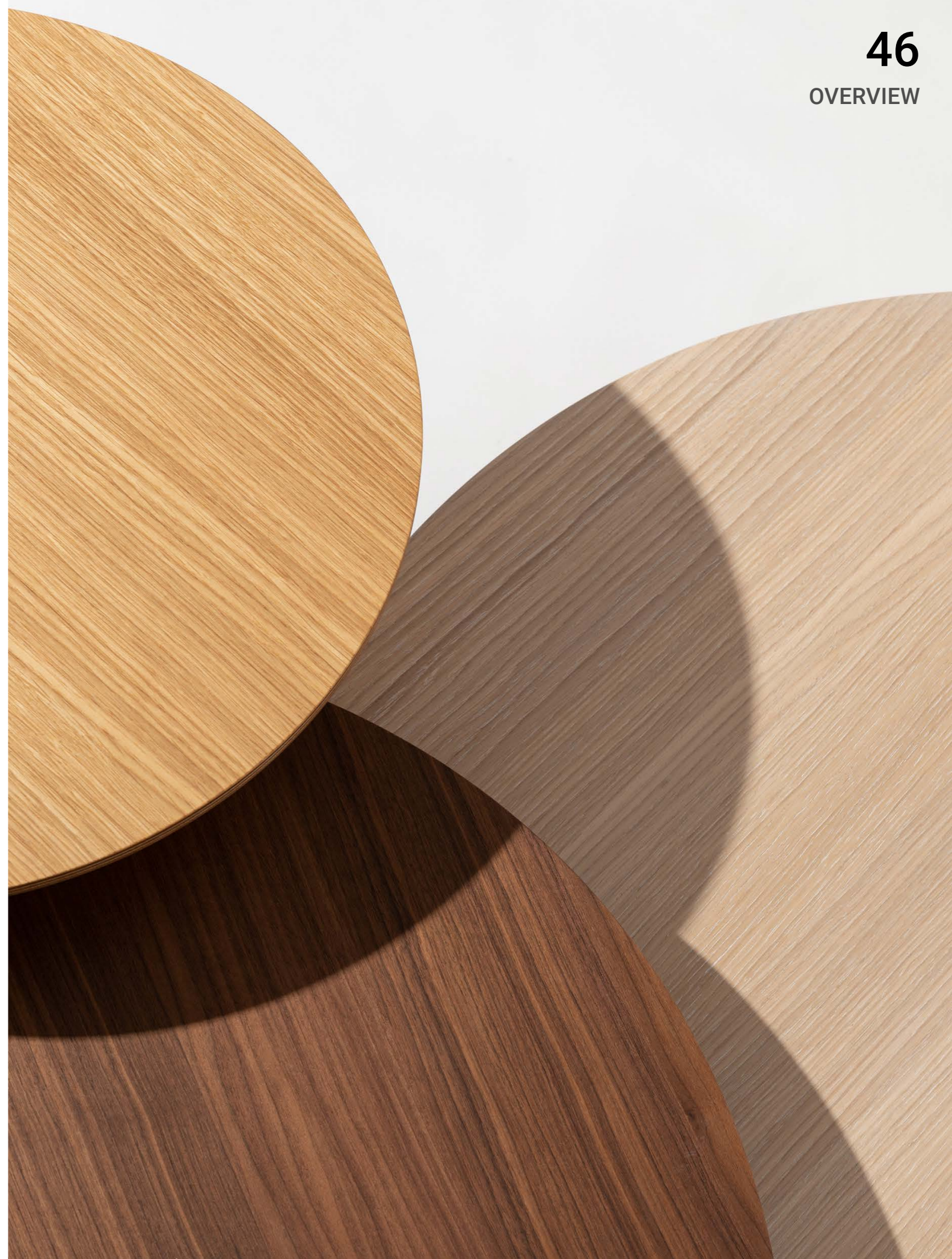
SIDE TABLES

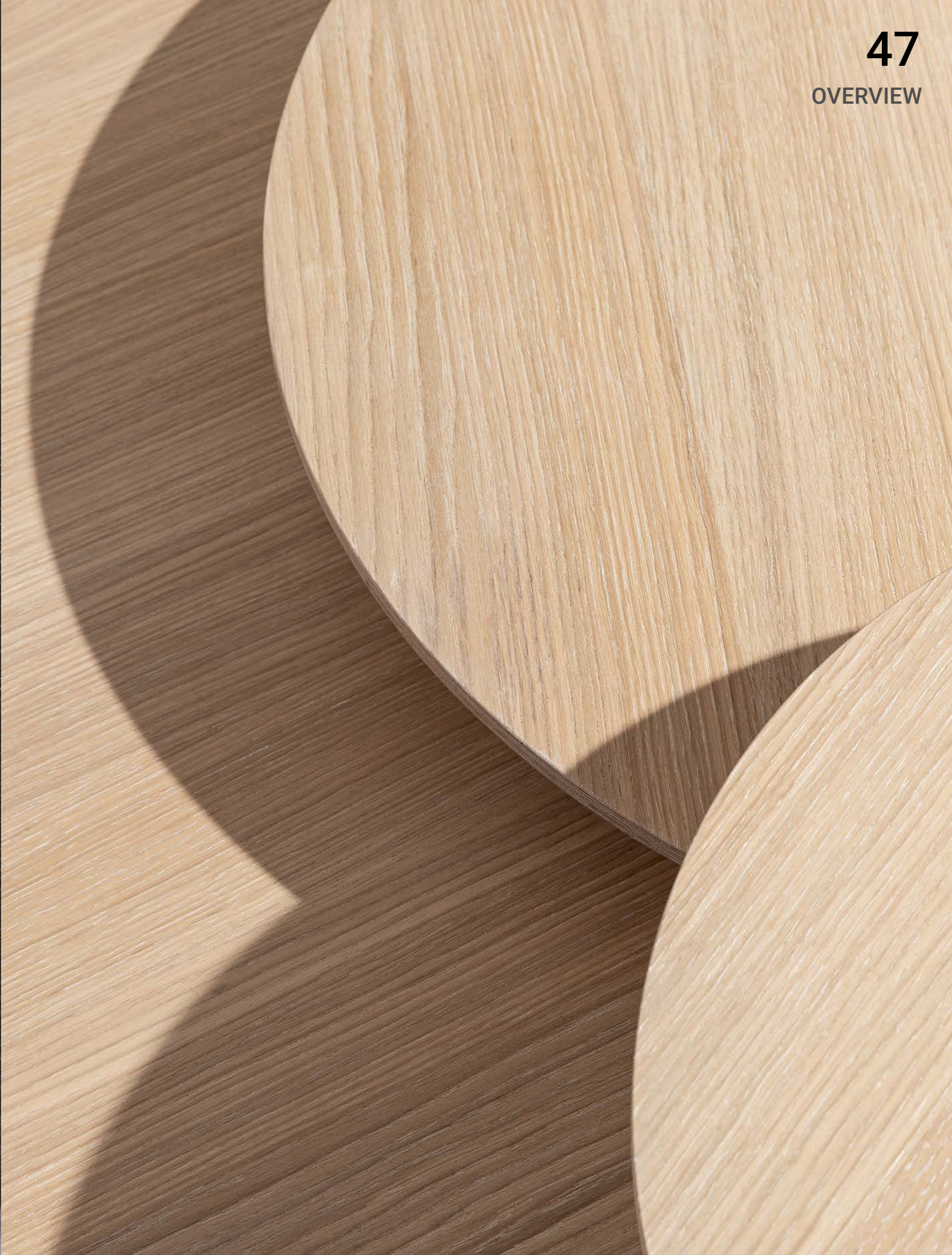
A FAMILY OF THREE TABLES IN DIFFERENT HEIGHTS. AN EQUAL-SIDED TRIANGLE WITH CONCAVE CURVED SIDES SUPPORTS A CIRCULAR TABLE TOP.

THE DIAMETER OF THE BASE CORRESPONDS TO THAT OF THE TABLE TOP OF THE NEXT LARGER TABLE MODEL, WHICH ALLOWS IT TO NESTLE ELEGANTLY TO ITS NEIGHBOR. THIS CREATES INTERESTING CONSTELLATIONS THAT CAN BE ALIGNED

AND ARRANGED IN MANY WAYS. THE MONOLITHIC YET LIGHT DESIGN WAS IS BY JOHANNES LORZ AND MADE ENTIRELY FROM LAMINATED BEECH WOOD AND OAK VENEER.

DESIGN JOHANNES LORZ, 2022





LEFT TABLE S BLACK
RICHT TABLE S/M/L OAK WHITE



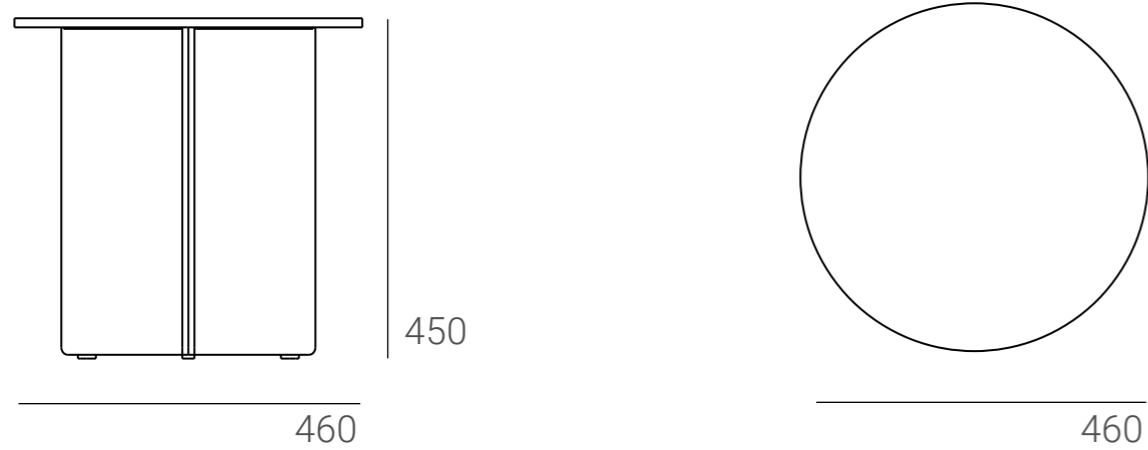
LEFT TABLE S/M/L COBALT / ROSE / COBALT
RIGHT TABLE S/M/L COBALT / ROSE / COBALT



LEFT **TABLE S OAK NATURAL / 80/100** **SIDEBOARD OAK NATURAL / BLACK**
RIGHT **TABLE S OAK NATURAL**

TABLE S

50
OVERVIEW



DOWNLOAD 2D/3D FILES

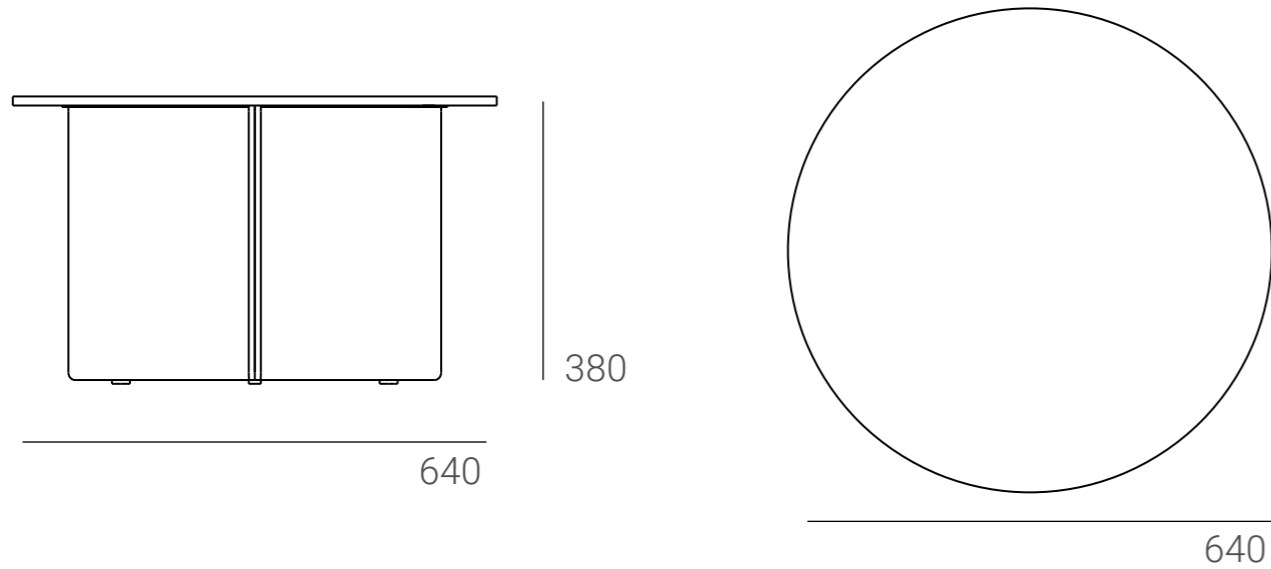
SHOP/ DELIVERY TIMES

ASSEMBLY INSTRUCTIONS

VARIANTS

		EXCL. VAT	INCL. VAT	DETAILS
	EUR. OAK, OILED WHITE	664	790	BASE LAMINATED BEECH-WOOD, WOOD-VENEER, OILED OR LACQUERED
	EUR. OAK, OILED			TOP LAMINATED BEECH-WOOD, WOOD-VENEER, OILED OR LACQUERED
	EUR. OAK, LACQUERED ROSE			PARTS STEEL, POWDER-COATED
	EUR. OAK, LACQUERED BLUE			GLIDES FELT
	EUR. OAK, LACQUERED BLACK			
	AM. WALNUT, OILED	832	990	

TABLE M



DOWNLOAD 2D/3D FILES

SHOP/ DELIVERY TIMES

ASSEMBLY INSTRUCTIONS







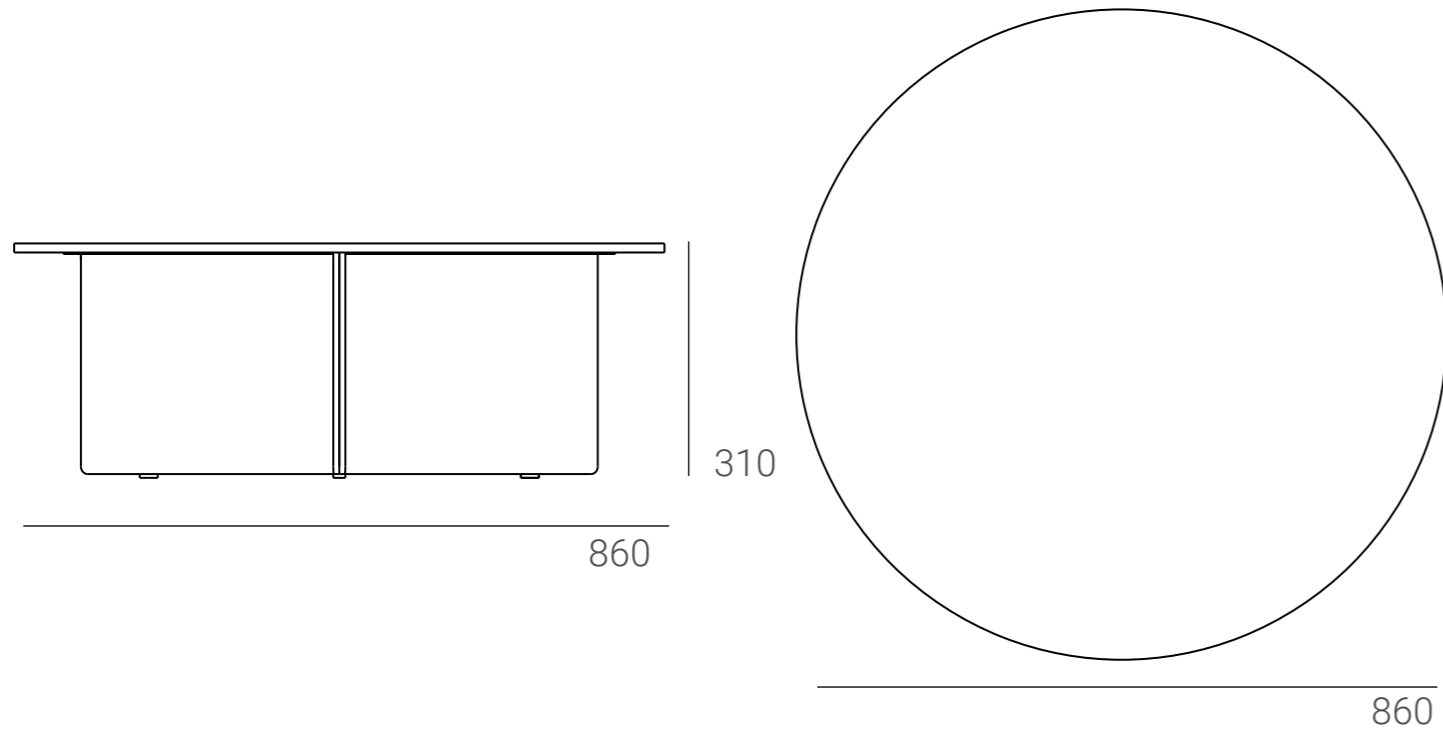
VARIANTS		EXCL. VAT	INCL. VAT	DETAILS
	EUR. OAK, OILED WHITE	832	990	BASE LAMINATED BEECH-WOOD, WOOD-VENEER, OILED OR LACQUERED
	EUR. OAK, OILED			TOP LAMINATED BEECH-WOOD, WOOD-VENEER, OILED OR LACQUERED
	EUR. OAK, LACQUERED ROSE			PARTS STEEL, POWDER-COATED
	EUR. OAK, LACQUERED BLUE			GLIDES FELT
	EUR. OAK, LACQUERED BLACK			
	AM. WALNUT	1.000	1.190	

TABLE L



DOWNLOAD 2D/3D FILES

SHOP/ DELIVERY TIMES

ASSEMBLY INSTRUCTIONS

VARIANTS



EUR. OAK, OILED WHITE

EXCL. VAT

1.084

INCL. VAT

1.290

DETAILS

BASE

LAMINATED BEECH-WOOD, WOOD-VENEER, OILED OR LACQUERED

TOP

LAMINATED BEECH-WOOD, WOOD-VENEER, OILED OR LACQUERED

PARTS

STEEL, POWDER-COATED

GLIDES

FELT



EUR. OAK, OILED



EUR. OAK, LACQUERED ROSE



EUR. OAK, LACQUERED BLUE



EUR. OAK, LACQUERED BLACK



AM. WALNUT

1.252

1.490

STABLE TABLE

STABLE TABLE IS A DINING TABLE MADE OF SOLID WOOD. ITS SLIM, REDUCED CONSTRUCTION MADE OF ROUND WOODEN BARS GIVES THE SOLID TABLE TOP A FLOATING, ALMOST FILIGREE APPEARANCE.

IT IS AVAILABLE IN TWO LENGTHS AND PROVIDES ENOUGH SPACE FOR UP TO SIX OR EIGHT PEOPLE.

DESIGN: KEVIN RACK & JOHANN KUHN, 2020

INTERESTING DETAILS IN THE FORM OF THE CHARACTERISTIC WOOD JOINTS GIVE THE DESIGN A TRADITIONAL YET ELEGANT TOUCH.





LEFT **STABLE TABLE** OAK, OILED WHITE
RIGHT **STABLE TABLE** OAK, OILED WHITE / **32 CHAIR** BLACK

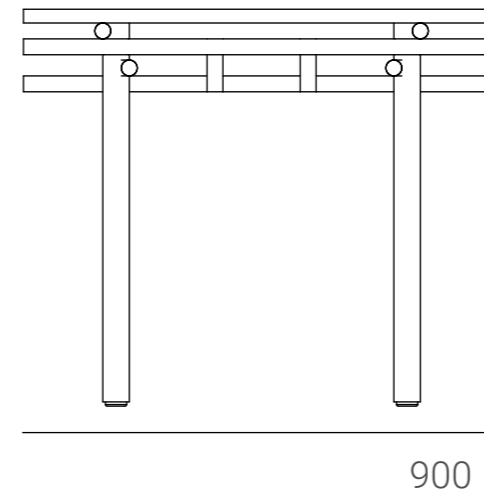
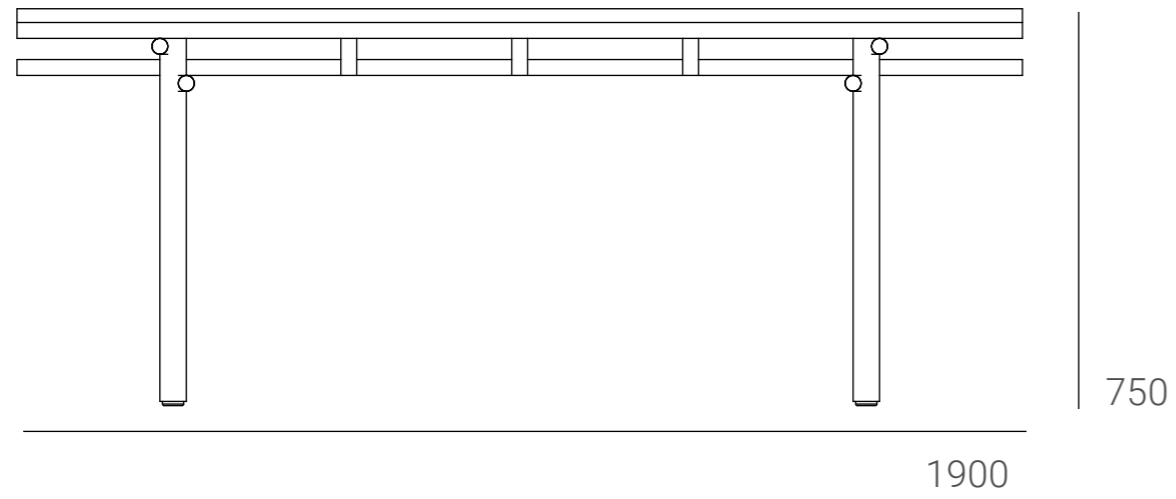


LEFT **STABLE TABLE** OAK, OILED WHITE / **32 ARMCHAIR** CHROME / BLUE VIDAR
RIGHT **STABLE TABLE** OAK, OILED WHITE / **32 ARMCHAIR** CHROME / BLUE VIDAR



LEFT **STABLE TABLE** OAK, OILED WHITE
RIGHT **STABLE TABLE** OAK, OILED WHITE

STABLE TABLE M



DOWNLOAD 2D/3D FILES

SHOP/ DELIVERY TIMES

ASSEMBLY INSTRUCTIONS

VARIANTS



EUR. OAK, OILED NATURAL

EUR. OAK, OILED WHITE

EXCL. VAT

INCL. VAT

DETAILS

3.277

3.900

**FRAME
TOP**

SOLID WOOD, OILED
SOLID WOOD, OILED

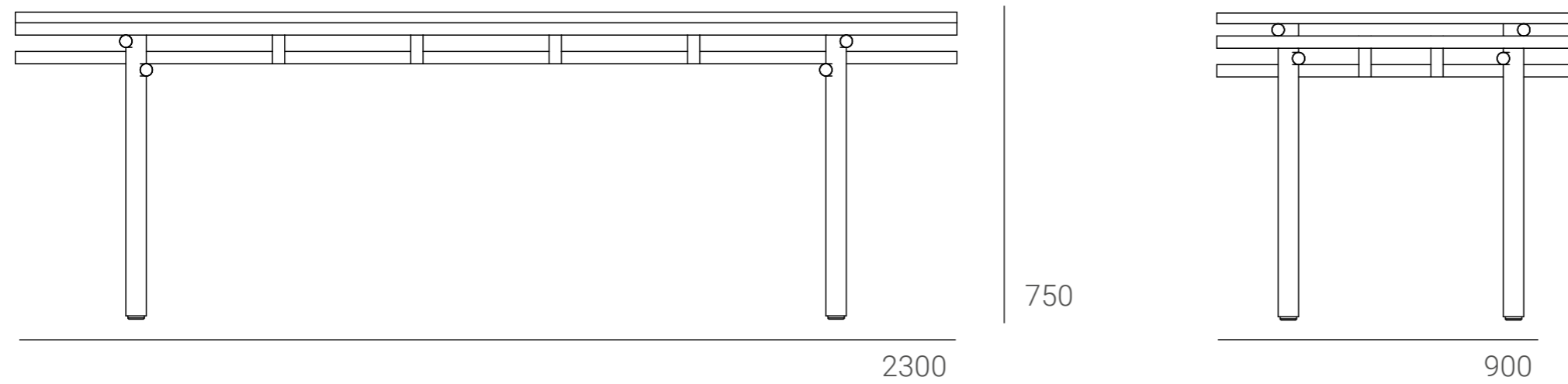
EXTRAS

LACQUERED IN CUSTOM COLOR (RAL)

+ 546

+ 650

STABLE TABLE L



DOWNLOAD 2D/3D FILES

SHOP/ DELIVERY TIMES

ASSEMBLY INSTRUCTIONS

VARIANTS



EUR. OAK, OILED NATURAL

EXCL. VAT

3.782

INCL. VAT

4.500

DETAILS

**FRAME
TOP**

SOLID WOOD, OILED
SOLID WOOD, OILED



EUR. OAK, OILED WHITE

EXTRAS

LACQUERED IN CUSTOM COLOR (RAL)

+ 546

+ 650

JOHANN KUHN UND KEVIN RACK

AFTER STUDYING ARCHITECTURE IN GERMANY, JOHANN KUHN AND KEVIN RACK FIRST WORKED AS A DESIGN STUDIO BEFORE PRESENTING THEIR FIRST COLLEC-

TION WITH BLOCKBAU AT THE FURNITURE FAIR IN COLOGNE IN 2020.



JOHANNES LORZ

JOHANNES LORZ IS A GERMAN PRODUCT DESIGNER WHO LIVES IN HAMBURG. HE FIRST DISCOVERED HIS PASSION FOR FURNITURE WHILE STUDYING PRODUCT DESIGN IN COBURG. THE GOAL OF HIS WORK IS TO DESIGN PRODUCTS THAT ARE NOT ONLY FORMALLY APPEALING, BUT ARE SIMPLE TO THEIR USERS AND ACCOMPANY THEM FOR A LONG TIME. HE DRAWS INSPIRATION

FROM OBSERVATIONS OF EVERYDAY LIFE. BY PLACING FORMS AND FUNCTIONS IN A NEW CONTEXT, HE FINDS NEW APPROACHES AND IDEAS FOR THE DESIGN PROCESS.



SHIPPING INFORMATION

DELIVERY OPTIONS

WE DELIVER OUR PRODUCTS FREE OF CHARGE WITHIN GERMANY. FOR SHIPPING OUTSIDE OF GERMANY YOU CAN FIND OUR PRICES IN THE FOLLOWING TABLE. WE CAN DELIVER PRODUCTS DIRECTLY TO YOUR END CUSTOMERS FOR AN ADDITIONAL CHARGE. YOU WILL BE NOTIFIED AS SOON AS YOUR DELIVERY LEAVES OUR WAREHOUSE. PLEASE ALWAYS STATE YOUR DELIVERY PREFERENCES AND LOCAL PARTICULARS DIRECTLY WITH THE ORDER.

DELIVERY TIMES

UNLESS OTHERWISE STATED, ALL ITEMS WILL BE SHIPPED WITHIN 6 TO 8 WEEKS AFTER RECEIPT OF ORDER. PLEASE CONTACT US FOR CURRENT DELIVERY TIMES.

DAMAGE

PLEASE ALWAYS CHECK THE PACKAGING DIRECTLY IN THE PRESENCE OF THE CARRIER AND NOTE ANY DAMAGES DIRECTLY ON THE SHIPPING NOTE. KEEP A COPY OF IT AND TAKE PHOTOGRAPHS OF THE PACKAGING BEFORE UNPACKING. THIS IS THE ONLY WAY WE CAN ACKNOWLEDGE AND REPLACE DAMAGES FROM TRANSPORT.

PACKAGING

WE DELIVER OUR PRODUCTS IN ECOLOGICAL PACKAGING MADE OF CARDBOARD BOXES AND LARGELY AVOID THE USE OF PLASTIC. IF THE PRODUCTS ARE DELIVERED BY CARRIER, THEY WILL ARRIVE ON STANDARD PALLETS. LARGE PRODUCTS WILL BE DELIVERED ON DISPOSABLE WOODEN PALLETS.

SHIPPING COSTS

PARCEL	EXCL. VAT	INCL. VAT	DETAILS
GERMANY	0	0	WE SHIP SMALL, HANDY PRODUCTS AS A PARCEL. YOU CAN TRACK IT WITH AN INDIVIDUAL TRACKING NUMBER AND ARRANGE PREFERENCES WITH THE DELIVERY COMPANY.
AUSTRIA & SWITZERLAND	25	30	
EU	25	30	
CARRIER			
GERMANY	0	0	PRICE PER PALLET. SHIPPED TO CURBSIDE, ANY DAY. A NOTIFICATION CAN BE SET UP IF REQUIRED. PLEASE STATE THE DESIRED NOTIFICATION TIME AND A TELEPHONE NUMBER IN YOUR ORDER.
AUSTRIA & SWITZERLAND	60	72	
EU	60	72	
CUSTOMS FLAT RATE			
SWITZERLAND	35	42	FLAT FEE FOR CUSTOMS PROCESSING. ALL DELIVERIES ARE SHIPPED WITH INCOTERMS DAP.

§ 1. ALLGEMEINES

(1) DIE NACHSTEHENDEN BEDINGUNGEN („AGB“) SIND VERTRAGSBESTANDTEIL SÄMTLICHER MIT UNS GESCHLOSSENEN VERTRÄGE. UNSERE LIEFERUNGEN, LEISTUNGEN UND ANGEBOTE ERFOLGEN AUSSCHLIESSLICH AUFGRUND DIESER AGB. SPÄTESTENS MIT DER ENTGEGENNAHME DER LEISTUNG DURCH DEN KUNDEN GELTEN DIE AGB ALS ANGENOMMEN. (2) DIESE AGB GELTEN AUSSCHLIESSLICH. ENTGEGENSTEHENDEN, ABWEICHENDEN ODER ERGÄNZENDEN AGB DES KUNDEN WIDER- SPRECHEN WIR BEREITS JETZT. DIESE WERDEN NUR DANN VERTRAGSBESTANDTEIL, WENN WIR IHRER GELTUNG AUSDRÜCKLICH SCHRIFTLICH ZUGESTIMMT HABEN.

(3) SOWEIT DER KUNDE UNTERNEHMER IM SINNE DES § 14 BGB IST, GELTEN UNSE-RE AGB IN IHRER JEWEILS NEUESTEN FAS- SUNG AUCH FÜR ALLE FOLGEGESCHÄFTE, OHNE DASS DAS BEI DEREN ABSCHLUSS NOCH AUSDRÜCKLICH ERWÄHNT ODER VEREINBART WERDEN MUSS.

(4) ALLE VEREINBARUNGEN, DIE ZWI- SCHEN UNS UND DEM KUNDEN ZWECKS AUSFÜHRUNG EINES VERTRAGES GE- TROFFEN WERDEN, SIND IN DIESEM VER- TRAG SCHRIFTLICH NIEDERZULEGEN.

§ 2. VERTRAGSSCHLUSS / SCHRIFTFORM / SELBSTBELIEFERUNGSVORBEHALT

(1) UNSERE ANGEBOTE SIND – INSBESON- DERE NACH MENGE, PREIS UND LIEFER- ZEIT – STETS FREIBLEIBEND.

(2) BESTELLUNGEN DES KUNDEN GELTEN ERST DANN ALS ANGENOMMEN, WENN WIR SIE SCHRIFTLICH BESTÄTIGT HABEN. ENTHÄLT UNSERE SCHRIFTLICHE ZUSTIM- MUNG ERWEITERUNGEN, EINSCHRÄN- KUNGEN ODER SONSTIGE ÄNDERUNGEN GEGENÜBER DER BESTELLUNG, SO DÜR- FEN WIR VOM EINVERSTÄNDNIS DES KUN- DEN AUSGEHEN, SOWEIT DIESER NICHT UNVERZÜGLICH WIDERSPRICHT.

(3) WENN WIR EINEN MÜNDLICH ODER FERNMÜNDLICH GESCHLOSSENEN VER- TRAG NICHT BESONDERS SCHRIFTLICH BESTÄTIGEN, GILT DIE VON UNS ERTEILTE RECHNUNG ALS BESTÄTIGUNG.

(4) SÄMTLICHE VEREINBARUNGEN BE- DÜRFEN ZU IHRER WIRKSAMKEIT DER SCHRIFTFORM. DIE AUFHEBUNG DIE- SER SCHRIFTFORMKLAUSEL KANN NUR SCHRIFTLICH ERFOLGEN.

(5) SOWEIT WIR AUFTRÄGE ANNEHMEN, GESCHIEHT DIES STETS UNTER DEM VOR- BEHALT EINER ORDNUNGSGEMÄSSEN BE- LIEFERUNG DURCH UNSERE LIEFERAN- TEN.

§ 3. PREISE

UNSERE PREISE VERSTEHEN SICH AB LA- GER REIN NETTO OHNE JEDEN ABZUG ZUSÄTZLICH DER GESETZLICHEN MEHR- WERTSTEUER.

§ 4. BESCHAFFENHEITSANGABEN

VERBINDLICHE ANGABEN ÜBER DIE BE- SCHAFFENHEIT UNSERER WARE LIEGEN NUR DANN VOR, WENN WIR DIES AUS- DRÜCKLICH KENNTLICH MACHEN. AN- SONSTEN SIND MASSE, GEWICHT, LEIS- TUNG- UND BESCHAFFENHEITSANGABEN AUSSERHALB VON KONKRETEN VER- TRAGSANGEBOTEN – INSBESONDERE SOLCHE IN PROSPEKTEN – FÜR UNS UN- VERBINDLICH UND UNTERLIEGEN DEM VORBEHALT EINER ÄNDERUNG.

§ 5. LIEFERZEIT

(1) LIEFERTERMINE ODER -FRISTEN, DIE VERBINDLICH ODER UNVERBINDLICH VEREINBART WERDEN KÖNNEN, BEDÜRFTEN DER SCHRIFTFORM.

(2) LIEFERFRISTEN BEZIEHEN SICH AUF DEN ZEITPUNKT DER AUSLIEFERUNG, D. H. AB WERK ODER LAGER. SIE GELTEN BEI VEREINBARTER LIEFERUNG AB WERK AUCH ALS EINGEHALTEN, WENN DIE VERSANDBEREITSCHAFT DEM KUNDEN MITGETEILT WIRD UND WENN DIE WARE OHNE UNSER VERSCHULDEN NICHT RECHTZEITIG ABGESENDET WERDEN KANN. SOWEIT EINE SPÄTERE ABÄNDERUNG DES VERTRAGES DIE LIEFER- ODER AUSFÜHRUNGSFRIST BEEINFLUSSEN KANN, VERLÄNGERT SICH DIESE FRIST, SOFERN NICHT EINE GESONDERTE VEREINBARUNG BETROFFEN WIRD, IN ANGEMESSENEM UMFANG.

(3) EREIGNISSE HÖHERER ART BERECHTIGEN UNS, DIE LIEFERUNG ODER AUSFÜHRUNG UM DIE DAUER DES EREIGNISSES UND EINE ANGEMESSENE ANLAUFZEIT HINAUSZUSCHIEBEN, ODER WENN DIE DURCHFÜHRUNG DES VERTRAGES FÜR UNS UNZUMUTBAR WIRD – WEGEN DES NOCH NICHT ERFÜLLTEN TEILS VOM VERTRAG GANZ ODER TEILWEISE ZURÜCKZUTRETEN. DER HÖHEREN GEWALT STEHEN ALLE VON UNS NICHT ZU VERTRETENDEN UMSTÄNDE GLEICH, DIE UNS DIE VERTRAGSAUSFÜHRUNG WESENTLICH ERSCHWEREN ODER UNMÖGLICH MACHEN, WIE Z.B. STREIK, AUSSPERREN, MOBILMACHUNGEN, KRIEG, BLOCKADE, AUS- UND EINFUHRVERBOTE, ROH- UND BRENN-

STOFFMANGEL, FEUER, VERKEHRSSPERRUNGEN, STÖRUNGEN DER BETRIEBE ODER DES TRANSPORTES, UNVOLLSTÄNDIGE ODER VERZÖGERTE VORBELIEFERUNG. DIESE REGELUNG GILT UNABHÄNGIG DAVON, OB DIESE UMSTÄNDE BEI UNS, DEM VORLIEFERANTEN ODER BEI EINEM SEINER UNTERLIEFERANTEN EINGETRETEN SIND. DER KUNDE WIRD VON UNS ÜBER DAS BESTEHEN UND DIE VORAUSSICHTLICHE DAUER DERARTIGER HINDERNISSE INFORMIERT WERDEN.

(4) DAUERT DIE BEHINDERUNG LÄNGER ALS DREI MONATE, IST DER KUNDE NACH ANGEMESSENER NACHFRISTSETZUNG BERECHTIGT, HINSICHTLICH DES NOCH NICHT ERFÜLLTEN TEILS VOM VERTRAG ZURÜCKZUTRETEN. VERLÄNGERT SICH DIE LIEFERZEIT ODER WERDEN WIR VON UNSERER VERPFLICHTUNG FREI, SO KANN DER KUNDE HIERAUS KEINE SCHADENSERSATZANSPRÜCHE HERLEITEN. AUF DIE VORGENANNTE UMSTÄNDE KÖNNEN WIR UNS NUR BERUFEN, WENN WIR DEN KUNDEN UNVERZÜGLICH BENACHRICHTIGEN.

(5) DER KUNDE IST NICHT BERECHTIGT, TEILLEISTUNGEN ZURÜCKZUWEISEN, ES SEI DENN, DASS IHM DIE ANNAHME VON TEILLEISTUNGEN NICHT ZUMUTBAR IST.

(6) KOMMT DER KUNDE IN ANNAHMEVERZUG, SIND WIR BERECHTIGT, ERSATZ DES UNS ENTSTANDENEN SCHADENS ZU VERLANGEN; MIT EINTRITT DES ANNAHMEVERZUGS GEHT DIE GEFAHR DER ZUFÄLLIGEN VERSCHLECHTERUNG UND DES ZUFÄLLIGEN UNTERGANGS AUF DEN KUNDEN ÜBER.

§ 6. ZAHLUNG

(1) UNSERE GELDFORDERUNGEN SIND INNERHALB VON ZEHN TAGEN AB RECHNUNGSDATUM ZU BEGLEICHEN, SOWEIT KEINE ABWEICHENDEN SCHRIFTLICHEN VEREINBARUNGEN GETROFFEN WURDEN. ZAHLUNGSVERZUG TRITT DAMIT REGELMÄSSIG MIT ABLAUF VON ZEHN TAGEN AB RECHNUNGSDATUM OHNE WEITERE MAHNUNG EIN. ALLE ZAHLUNGEN SIND IN DER BUNDESREPUBLIK DEUTSCHLAND ZU ERBRINGEN, SOFERN NICHTS ABWEICHENDES SCHRIFTLICH VEREINBART WURDE. BEI AUSLÄNDISCHEN KUNDEN HABEN WIR EIN LEISTUNGSVERWEIGERUNGSRECHT, SO LANGE NICHT AKKREDITIV EINER DEUTSCHEN BANK IN HÖHE DES VEREINBARTEN PREISES BEREITGESTELLT IST UND DIE ENTSPRECHENDEN NACHWEISE UND ZUSAGEN UNS VORLIEGEN.

(2) MASSGEBLICH FÜR DEN ZAHLUNGSZEITPUNKT IST DER EINGANG DER GUTSCHRIFT AUF DEM KONTO DER BLOCKBAU DESIGN GMBH.

(3) DER VERZUG MIT EINER ZAHLUNG HAT DIE SOFORTIGE FÄLLIGKEIT ALLER ÜBRIGEN FORDERUNGEN ZUR FOLGE.

(4) SKONTO WIRD NUR AUFGRUND AUSDRÜCKLICHER SCHRIFTLICHER VEREIN-

BARUNG GEWÄHRT. EIN VEREINBARTER SKONTOABZUG WIRD VOM NETTORECHNUNGSBETRAG NACHABZUG VON RABATT, FRACHTKOSTEN UND SONSTIGEN KOSTEN BERECHNET. SCHECKS UND WECHSEL WERDEN NUR ERFÜLLUNGSHALBER ENTGEGENGENOMMEN; ALLE KOSTEN, SPESEN, STEUERN UND PROVISIONEN GEHEN ZU LASTEN DES KUNDEN. WIR BEHALTEN UNS DAS RECHT VOR, HEREINGENOMMENE WECHSEL JEDERZEIT OHNE ANGABE VON GRÜNDEN ZURÜCKZUWEISEN UND SOFORTIGE BARZAHLUNG ZU FORDERN.

(5) SIND MEHRERE FORDERUNGEN OFFEN WIRD EINE ZAHLUNG AUCH BEI ABWEICHENDER BESTIMMUNG DES KUNDEN AUF DIE JEWEILS ÄLTESTE FORDERUNG VERRECHNET.

(6) DIE ABTRETUNG VON ANSPRÜCHEN DES KUNDEN AUS MIT UNS GESCHLOSSENEN VERTRAGSVERHÄLTNISSEN IST AUSGESCHLOSSEN. DER KUNDE KANN DIE AUFRECHNUNG NUR MIT EINER ANERKANNTEN ODER RECHTSKRÄFTIGEN FESTGESTELLTEN FORDERUNG ERKLÄREN. ZURÜCKBEHALTUNGSRECHTE KÖNNEN NUR GELTEND GEMACHT WERDEN, SOWEIT SIE AUF DEMSELBEN VERTRAGSVERHÄLTNIS BERUHEN, WIE DIE ZURÜCKBEHALTENE FORDERUNG.

§ 7. VERSAND

(1) DIE WAHL DES VERSANDORTES UND DES FÖRDERUNGSWEGES SOWIE TRANSPORTMITTELS ERFOLGT MANGELS ABWEICHENDER SCHRIFTLICHER VEREINBARUNG DURCH UNS NACH BESTEM ERMESSEN, OHNE ÜBERNAHME EINER HAFTUNG FÜR BILLIGSTE UND SCHNELLESTE BEFÖRDERUNG.

(2) DER VERSAND ERFOLGT AUF KOSTEN UND AUF GEFAHR DES KUNDEN, SOBALD DER LIEFERGEGENSTAND UNSERE GESCHÄFTS- ODER LAGERRÄUME VERLÄSST; LETZTERES GILT AUCH BEI TRANSPORT DURCH UNSERE FAHRZEUGE UND BEI VEREINBARUNG FRACHTFREIER LIEFERUNG. EBENSO GEHT DIE GEFAHR VIERZEHN KALENDERTAGE NACH ABGANG DER MITTEILUNG DER VERSANDBEREITSCHAFT AUF DEN KUNDEN ÜBER.

(3) VERPACKUNGSMATERIAL, LEIH- UND ABNUTZUNGSGEBÜHREN FÜR VERPACKUNGSMATERIAL SOWIE DIE KOSTEN DER ETWAIGEN RÜCKSENDUNG DES VERPACKUNGSMATERIALS GEHEN, SOFERN NICHT ANDERS VEREINBART, ZU LASTEN DES KUNDEN.

§ 8. SCHADENSERSATZ WEGEN NICHTABNAHME

(1) NIMMT DER KUNDE, OHNE HIERZU BERECHTIGT ZU SEIN, DIE BESTELLTE WARE NICHT AN, SIND WIR BERECHTIGT, VOM KUNDEN OHNE SCHADENSNACHWEIS EINE PAUSCHALE ENTSCHÄDIGUNG ZU VERLANGEN. DIE PAUSCHALE BETRÄGT: A) 25 (FÜNFUNDZWANZIG) % DES KAUFPREISES BEI STANDARDWAREN; B) 50 (FÜNFZIG) % DES KAUFPREISES BEI WAREN, DIE NICHT VORGEFERTIGT SIND UND FÜR DEREN HERSTELLUNG EINE INDIVIDUELLE AUSWAHL ODER BESTIMMUNG DURCH DEN KUNDEN MASSGEBLICH IST ODER DIE EINDEUTIG AUF DIE PERSÖNLICHEN BEDÜRFNISSE DES KUNDEN ZUGESCHNITTEN SIND.

DER NACHWEIS EINES HÖHEREN SCHADENS UND UNSERE GESETZLICHEN ANSPRÜCHE (INSBESONDERE ERSATZ VON MEHRAUFWENDUNGEN, ANGEMESSENE ENTSCHÄDIGUNG, KÜNDIGUNG) BLEIBEN UNBERÜHRT; DIE PAUSCHALE IST ABER AUF WEITERGEHENDE GELDANSPRÜCHE ANZURECHNEN. DEM KUNDEN BLEIBT DER NACHWEIS GESTATTET, DASS UNS ÜBERHAUPT KEIN ODER NUR EIN WESENTLICH GERINGERER SCHADEN ALS VORSTEHENDE PAUSCHALE ENTSTANDEN IST.

(2) ABSATZ (1) GILT ENTSPRECHEND, WENN A) DER KAUFPREIS TROTZ ZAHLUNGSVERZUG UND FRUCHTLOSEM VERSTREICHEN EINER ANGEMESSENEN NACHFRIST NICHT GEZAHLT WURDE, ODER

B) DER KUNDE VOM VERTRAG ZURÜCKTRITT, OHNE HIERZU BERECHTIGT ZU SEIN UND WIR UNS MIT EINEM SOLCHEN RÜCKTRITT DES KUNDEN EINVERSTANDEN ERKLÄREN.

§ 9. BEANSTANDUNGEN

(1) DER KUNDE IST VERPFLICHTET, DIE WARE BEI ANLIEFERUNG AM VEREINBARTEN BESTIMMUNGSORT BZW. IM FALLE EINER SELBSTABHOLUNG BEI IHRER ÜBERNAHME UNVERZÜGLICH

A) NACH STÜCKZAHL, GEWICHTEN UND VERPACKUNG ZU UNTERSUCHEN UND ETWAIGE BEANSTANDUNGEN HIERZU AUF DEM LIEFERSCHEIN ODER FRACHTBRIEF BZW. DER EMPFANGSMITTEILUNG ZU VERMERKEN, UND

B) MINDESTENS STICHPROBENWEISE, REPRÄSENTATIV, EINE QUALITÄTSKONTROLLE VORZUNEHMEN, HIERZU IN ANGEMESSENEM UMFANG DIE VERPACKUNG ZU ÖFFNEN UND DIE WARE SELBST NACH ÄUSSERER BESCHAFFENHEIT ZU PRÜFEN. (2) BEI DER RÜGE ETWAIGER MÄNGEL SIND VOM KUNDEN DIE NACHSTEHENDEN FORMEN UND FRISTEN ZU BEACHTEN:

A) DIE RÜGE HAT BIS ZUM ABLAUF DES WERKTAGES ZU ERFOLGEN, DER AUF DIE ANLIEFERUNG DER WARE AM VEREINBARTEN BESTIMMUNGSORT BZW. IHRER ÜBERNAHME FOLGT. BEI DER RÜGE EINES VERDECKTEN MANGELS, DER TROTZ ORDNUNGSGEMÄSSER ERSTUNTERSUCHUNG GEMÄSS VORSTEHENDEM ABSATZ (1) ZUNÄCHST UNENTDECKT GEBLIEBEN IST, GILT EINE ABWEICHENDE FRISTENREGELUNG, WONACH DIE RÜGE BIS ZUM ABLAUF DES AUF DIE FESTSTELLUNG FOLGENDEN WERKTAGES ZU ERFOLGEN HAT, LÄNGSTENS ABER BINNEN ZWEI

WOCHEN NACH ANLIEFERUNG DER WARE BZW. DEREN ÜBERNAME.

B) DIE RÜGE MUSS UNS INNERHALB DER VORGENANNTEN FRISTEN SCHRIFTLICH DETAILLIERT ZUGEHEN. EINE FERNMÜNDLICHE MÄNGELRÜGE REICHT NUR AUS WENN DIESE VON UNS SCHRIFTLICH BESTÄTIGT WURDE. MÄNGELRÜGEN GEGENÜBER HANDELSVERTRETEREN, MAKLERN ODER AGENTEN SIND UNBEACHTLICH.

C) AUS DER RÜGE MÜSSEN ART UND UMFANG DES BEHAUPTETEN MANGELS EINDEUTIG ZU ENTNEHMEN SEIN.

D) DER KUNDE IST VERPFLICHTET, DIE BEANSTANDETE WARE AM UNTERSUCHUNGSORT ZUR BESICHTIGUNG DURCH UNS, UNSEREN LIEFERANTEN ODER VON UNS BEAUFTRAGTE SACHVERSTÄNDIGE BEREITZUHALTEN.

(3) BEANSTANDUNGEN IN BEZUG AUF STÜCKZAHL, GEWICHTE UND VERPACKUNG DER WARE SIND AUSGESCHLOSSEN, SOFERN ES AN DEM NACH VORSTEHENDEM ABSATZ (1) A) ERFORDERLICHEN VERMERK AUF LIEFERSCHEIN ODER FRACHTBRIEF BZW. EMPFANGSQUITTUNG FEHLT.

(4) DIE BEANSTANDETE WARE DARF NICHT VERARBEITET WERDEN. EIN EINBAU ODER EINE SONSTIGE BEARBEITUNG UNSERER ERZEUGNISSE STELLT DIE GENEHMIGUNG DER LIEFERUNG ALS VERTRAGSGEMÄSSE ERFÜLLUNG DAR UND SCHLIESST GEWÄHRLEISTUNGSANSPRÜCHE AUS.

(5) NICHT FORM- UND FRISTGERECHT BEMÄNGELTE WARE GILT ALS GENEHMIGT UND ABGENOMMEN.

§ 10. GEWÄHRLEISTUNG, PRODUKTVERANTWORTUNG

(1) AUS MÄNGELN, DIE DEN WERT UND DIE TAUGLICHKEIT DER WARE ZU DEM UNS ERKENNBAREN GEBRAUCH NICHT ODER NUR UNWESENTLICH BEEINTRÄCHTIGEN, KANN DER KUNDE KEINE RECHTE HERLEITEN. (2) MASSABWEICHUNGEN VON BIS ZU 5 % SOWIE LEICHTE FARBABWEICHUNGEN GELTEN ALS UNERHEBLICHE BEEINTRÄCHTIGUNG.

(3) WEISST DIE WARE BEI GEFÄHRÜBERGANG EINEN MANGEL AUF, SIND WIR ZUR NACHERFÜLLUNG BERECHTIGT UND VERPFLICHTET. DIE NACHERFÜLLUNG ERFOLGT NACH UNSERER WAHL DURCH NACHBESSERUNG ODER ERSATZLIEFERUNG. DER KUNDE IST VERPFLICHTET, UNS DIE ÜBERPRÜFUNG DES VON IHM ALS FEHLERHAFT BEZEICHNETEN LIEFERGEGENSTANDES ZU GESTATTEN.

(4) SCHLÄGT DIE NACHERFÜLLUNG FEHL, STEHEN DEM KUNDEN DIE GESETZLICHEN RECHTE ZU. BEI EINEM NUR GERINGFÜGIGEN MANGEL STEHT DEM KUNDEN JEDOCH KEIN RÜCKTRITTSRECHT ZU.

§ 11. HAFTUNG

(1) WIR HAFTEN UNEINGESCHRÄNKT NACH DEN GESETZLICHEN BESTIMMUNGEN, WENN

A) DER SCHADEN AUF GROBER FAHRLÄSSIGKEIT ODER VORSATZ BERUHT,

B) EINE HAFTUNG NACH DEM PRODUKTHAFTUNGSGESETZ VORGESEHEN IST, ODER

C) ES SICH UM EINEN PERSONENSCHADEN HANDELT.

DIESE HAFTUNG BLEIBT VON JEDWELCHEN EINSCHRÄNKUNGEN IM RAHMEN DER VORLIEGENDEN GESCHÄFTSBEDINGUNGEN UNBERÜHRT.

(2) FÜR DIE SCHULDHAFT VERLETZUNG VERTRAGSWESENTLICHER PFLICHTEN HAFTEN WIR IM ÜBRIGEN NUR FÜR DEN VERTRAGSTYPISCHEN SCHADEN, NICHT ABER FÜR MITTELBARE SCHÄDEN, MANGELFOLGESCHÄDEN ODER ENTGANGENEN GEWINN UND NUR IN HÖHE DES VORHERSEHBAREN SCHADENS. WEITERGEHENDE VERTRAGLICHE UND DELIKTISCHE ANSPRÜCHE SIND AUSGESCHLOSSEN.

(3) SOWEIT UNSERE HAFTUNG AUSGESCHLOSSEN ODER BESCHRÄNKT IST, GILT DIES AUCH FÜR DIE PERSÖNLICHE HAFTUNG UNSERER ARBEITNEHMER, MITARBEITER, VERTRETER ODER ERFÜLLUNGSGEHILFEN.

§ 12. VERJÄHRUNG

ANSPRÜCHE DES KUNDEN, DIE AUF EINER PFLICHTVERLETZUNG BERUHEN, VERJÄHREN VORBEHALTLICH DER §§ 478, 479 BGB EINHEITLICH IN EINEM JAHR AB GEFÄHRÜBERGANG. DIES GILT UNABHÄNGIG DAVON, OB DIE PFLICHTVERLETZUNG IN EINEM SACHMANGEL ODER IN DER VERLETZUNG EINER SONSTIGEN VERTRAGSPFLICHT BESTEHT. FÜR PERSONENSCHÄDEN, SCHÄDEN, DIE UNTER DAS PRODUKTHAFTUNGSGESETZ FALLEN UND SCHÄDEN, DIE AUF VORSATZ ODER GROBER FAHRLÄSSIGKEIT BERUHEN, BLEIBT ES BEI DER GESETZLICHEN VERJÄHRUNG.

§ 13. RECHTE DRITTER

FÜR DEN FALL, DASS DER KUNDE UNS ZUR HERSTELLUNG DER WARE DESIGNS, ENTWÜRFE, VORLAGEN ODER DERGLEICHEN (NACHFOLGEND „MATERIAL“ GENANNT) ZUR VERFÜGUNG STELLT, GILT FOLGENDES:

(1) DER KUNDE GARANTIERT UNS, DASS DAS VON IHM ZUR VERFÜGUNG GESTELLTE MATERIAL:

A) NICHT GEGEN WETTBEWERBSRECHTLICHE VORSCHRIFTEN VERSTÖSST; B) FREI VON RECHTEN DRITTER, INSBESONDERE URHEBERRECHTEN UND GEISTIGEN EIGENTUMSRECHTEN IST UND/ODER DASS DER KUNDE DIE FÜR DIE NUTZUNG UND WEITERGABE DES MATERIALS ERFORDERLICHEN RECHTE BESITZT;

C) NICHT GEGEN EIN SONSTIGES GESETZLICHES ODER BEHÖRDLICHES VERBOT VERSTÖSST.

(2) DER KUNDE IST VERPFLICHTET, UNS AUF ERSTES SCHRIFTLICHES ANFORDERN VON SÄMTLICHEN ANSPRÜCHEN DRITTER FREIZUSTELLEN, DIE IN ANSEHUNG DES MATERIALS GEGEN UNS GELTEND GEMACHT WERDEN (NACHFOLGEND „DRITTANSPRUCH“ GENANNT). IM RAHMEN DER FREISTELLUNG ERSTATTET DER KUNDE UNS AUCH ALLE NOTWENDIGEN AUFWENDUNGEN, DIE UNS AUFGRUND EINER RECHTLICHEN AUSEINANDERSETZUNG IM ZUSAMMENHANG MIT EINEM DRITTANSPRUCH TÄTIGT. DIESE ANSPRÜCHE BESTEHEN UNABHÄNGIG VON EINEM VERSCHULDEN DES KUNDEN.

(3) WIR WERDEN DEN KUNDEN UNVERZÜGLICH UNTERRICHTEN, SOBALD GEGEN UNS EIN DRITTANSPRUCH GELTEND GEMACHT WIRD UND DEM KUNDEN ALLE DAMIT ZUSAMMENHÄNGENDEN UNTERLAGEN IN KOPIE ZUR VERFÜGUNG STELLEN.

§ 14. EIGENTUMSVORBEHALT

(1) AN DER DEM KUNDEN GELIEFERTEN WARE BEHALTEN WIR UNS DAS EIGENTUM BIS ZUR VOLLSTÄNDIGEN BEZAH-LUNG SÄMTLICHER ZUM ZEITPUNKT DER LIEFERUNG BESTEHENDER ODER SPÄTER ENTSTEHENDER FORDERUNGEN AUS DER GESCHÄFTSVERBINDUNG VOR; BEI ZAH-LUNGEN DES KUNDEN DURCH SCHECK ODER WECHSEL BEHALTEN WIR UNS DAS EIGENTUM AN DER WARE BIS ZUR GUT-SCHRIFT AUF UNSER KONTO VOR. BEI PFÄNDUNGEN ODER SONSTIGEN EINGRIF-FEN DRITTER, HAT UNS DER KÄUFER UN-VERZÜGLICH SCHRIFTLICH ZU BENACH-RICTIGEN, DAMIT WIR KLAGE GEMÄSS § 771 ZPO ERHEBEN KÖNNEN.

(2) ZUR GELTENDMACHUNG DES EIGEN-TUMSVORBEHALTS IST EIN RÜCKTRITT VOM VERTRAG NICHT ERFORDERLICH, ES SEI DENN, DER ABNEHMER IST VERBRAU-CHER.

(3) IN EINER MIT EINER SCHRIFTLICHEN RÜCKTRITTSERKLÄRUNG VERBUNDENEN RÜCKNAHME DER KAUFsache, SOWIE IN EINER PFÄNDUNG DER KAUFsache DURCH UNS, LIEGT STETS EIN RÜCKTRITT VOM VERTRAG. GELANGT DIE SACHE IN UNSEREN BESITZ, OHNE DASS SCHRIFTLICH VON UNS DER RÜCKTRITT ERKLÄRT WURDE, TRÄGT DER KUNDE DIE BEWEIS-LAST DAFÜR, DASS EINE DEN RÜCKTRITT NACH SICH ZIEHENDE RÜCKNAHME DER KAUFsache DURCH UNS ERFOLGT IST. WIR SIND NACH RÜCKNAHME DER KAUF-sache ZU DEREN VERWERTUNG BEFUGT; DER VERWERTUNGSERLÖS IST AUF DIE VERBINDLICHKEITEN DES KUNDEN AB-ZÜGLICH ANGEMESSENER VERWER-TUNGSKOSTEN ANZURECHNEN.

(4) DER KUNDE IST BERECHTIGT, DEN LIE-

FERGEGENSTAND IM ORDENTLICHEN GE-SCHÄFTSGANG WEITERZUVERKAUFEN; ER TRITT UNS JEDOCH BEREITS JETZT ALLE FORDERUNG IN HÖHE DES RECH-NUNGSENDETRAGES (EINSCHLIESSLICH MEHRWERTSTEUER) AB, DIE IHM AUS DER WEITERVERÄUSSERUNG GEGEN SEINE AB-NEHMER ODER GEGEN DRITTE ERWACH-SEN, UND ZWAR UNABHÄNGIG DAVON, OB DER LIEFERGEGENSTAND OHNE ODER NACH VERARBEITUNG WEITERVERKAUFT WORDEN IST. ZUR EINZIEHUNG DIESER FORDERUNG IST DER KÄUFER NACH DE-REN ABTRETUNG ERMÄCHTIGT. UNSERE BEFUGNIS, DIE FORDERUNG SELBST EIN-ZUZIEHEN, BLEIBT HIERVON UNBERÜHRT; JEDOCH VERPFLICHTEN WIR UNS, DIE FORDERUNG NICHT EINZUZIEHEN, SO-LANGE DER KÄUFER SEINEN ZAHLUNGS-VERPFLICHTUNGEN ORDNUNGSGEMÄSS NACHKOMMT UND NICHT IN ZAHLUNGS-VERZUG IST. IST DER KUNDE JEDOCH IN ZAHLUNGSVERZUG, KÖNNEN WIR VER-LANGEN, DASS DER KÄUFER UNS DIE AB-GETRETENEN FORDERUNGEN UND DEREN SCHULDNER BEKANNT GIBT, ALLE ZUM EINZUG ERFORDERLICHEN ANGABEN MACHT, DIE DAZUGEHÖRENDE UNTER-LAGEN AUSHÄNDIGT UND DEM DRITTEN DIE ABTRETUNG MITTEILT.

(5) DIE VERARBEITUNG ODER UMBILDUNG DES LIEFERGEGENSTANDES DURCH DEN KÄUFER WIRD STETS FÜR UNS VORGE-NOMMEN. WIRD DER LIEFERGEGENSTAND MIT ANDEREN, UNS NICHT GEHÖRENDE GEGENSTÄNDEN VERARBEITET, SO ER-WERBEN WIR DAS MITEIGENTUM AN DER NEUEN SACHE IM VERHÄLTNIS DES WER-TES DES LIEFERGEGENSTANDES ZU DEN ANDEREN VERARBEITETEN GEGENSTÄN-

DEN ZUR ZEIT DER VERARBEITUNG. FÜR DIE DURCH VERARBEITUNG ENTSTEHEN-DE SACHE GILT IM ÜBRIGEN DAS GLEICHE WIE FÜR DIE VORBEHALTSSACHE.

(6) WIRD DER LIEFERGEGENSTAND MIT ANDEREN, UNS NICHT GEHÖRENDE GEGENSTÄNDEN UNTRENNBAR VERBUN-DEN ODER VERMISCHT, SO ERWERBEN WIR DAS MITEIGENTUM AN DER NEUEN SACHE IM VERHÄLTNIS DES WERTES DES LIEFERGEGENSTANDES ZU DEN ANDEREN VERBUNDENEN ODER VERMISCHTEN GE-GENSTÄNDEN ZUM ZEITPUNKT DER VER-BINDUNG ODER VERMISCHUNG. ERFOLGT DIE VERBINDUNG ODER VERMISCHUNG IN DER WEISE, DASS DIE SACHE DES KUN-DEN ALS HAUPTSACHE ANZUSEHEN IST, SO GILT ALS VEREINBART, DASS DER KÄU-FER UNS ANTEILSMÄSSIG MITEIGENTUM ÜBERTRÄGT. DER KÄUFER VERWAHRT DAS ALLEINEIGENTUM ODER DAS MITEIGEN-TUM FÜR UNS.

(7) WIR VERPFLICHTEN UNS, DIE UNS ZU-STEHENDEN SICHERHEITEN AUF VER-LANGEN DES KÄUFERS INSOWEIT FREI ZU GEBEN, ALS DER WERT UNSERER SICHER-HEITEN DIE ZU SICHERNDE FORDERUN-GEN UM MEHR ALS 20 % ÜBERSTEIGT.

(8) DIE WÄHREND DER DAUER DES EIGEN-TUMSVORBEHALTES IN UNSE-REM EIGEN-TUM STEHENDE WARE IST VOM KUNDEN GEGEN FEUER, WASSER, DIEBSTAHL UND EINBRUCHSDIEBSTAHL ZU VERSICHERN. UND UNS AUF VERLANGEN DEN AB-SCHLUSS DER VERSICHERUNG NACHZU-EISEN. DIE RECHTE AUS DER VERSICHE-RUNG TRITT DER KUNDE AN UNS AB. WIR NEHMEN DIESE ABTRETUNG AN.

§ 15. KOMMISSIONSGESCHÄFTE, LIEFERUNG ZUR AUSWAHL

(1) WIRD VON UNS DIE WARE ALS KOMMISSIONSWARE GELIEFERT, SO IST DER KOMMISSIONÄR VERPFLICHTET, A) DIE IHM ANVERTRAUTE KOMMISSIONSWARE AUF EIGENE KOSTEN IN AUSREICHENDEM UMFANG ZU VERSICHERN, SACHGEMÄSS ZU LAGERN, PFLEGLICH ZU BEHANDELN UND NICHT VERKAUFTE KOMMISSIONSWARE IN EINWANDFREIEM ZUSTAND AN UNS ZURÜCKZUGEBEN. WIR SIND BERECHTIGT, VERSCHMUTZTE ODER BESCHÄDIGTE WARE FÜR RECHNUNG DES KOMMISSIONÄRS REINIGEN ODER REPARIEREN ZU LASSEN. DER KOMMISSIONÄR VERPFLICHTET SICH, SOLCHE KOMMISSIONSWARE, DEREN REINIGUNG ODER REPARATUR INFOLGE STARKER VERSCHMUTZUNG ODER BESCHÄDIGUNG NICHT MEHR MÖGLICH ODER NICHT ZUMUTBAR IST, FEST ZU ÜBERNEHMEN UND UNVERZÜGLICH DIE IM LIEFERSCHEIN ANGEgebenEN PREISE ZUZÜGLICH MEHRWERTSTEUER ZU ZAHLEN. DIES GILT AUCH DANN, WENN DIE KOMMISSIONSWARE INFOLGE VON UMSTÄNDEN VERSCHMUTZT ODER BESCHÄDIGT WORDEN IST, DIE DER KOMMISSIONÄR NICHT ZU VERTRETEN HAT. B) DIE EINSCHLÄGIGEN ZOLLVORSCHRIFTEN ZU BEACHTEN UND DIE IHM ANVERTRAUTE KOMMISSIONSWARE AUCH OHNE UNSERE AUSDRÜCKLICHE AUFFORDERUNG SPÄTESTENS VIER MONATE NACH LIEFERUNG AN UNS ZURÜCKZUGEBEN. HÄLT SICH DER KOMMISSIONÄR NICHT AN DIESE BESTIMMUNG, SO IST ER VERPFLICHTET, DIE BETREFFENDE KOMMISSIONSWARE FEST ZU ÜBERNEHMEN UND DIE IM LIEFERSCHEIN ANGEgebenEN PREISE ZUZÜGLICH MEHRWERTSTEUER

UNVERZÜGLICH ZU ZAHLEN. (2) DER KOMMISSIONÄR IST NICHT BERECHTIGT, ÜBER DIE KOMMISSIONSWARE OHNE UNSERE AUSDRÜCKLICHE SCHRIFTLICHE ZUSTIMMUNG MIT EINEM DRITTEN EINEN KOMMISSIONSVERTRAG ABZUSCHLIESSEN. (3) GIBT DER KOMMISSIONÄR – GLEICH AUS WELCHEM GRUND – NICHT VERKAUFTE KOMMISSIONSWARE TROTZ UNSERES JEDERZEIT ZULÄSSIGEN VERLANGENS NICHT UNVERZÜGLICH ZURÜCK, SO VERPFLICHTET ER SICH, DIE IM LIEFERSCHEIN ANGEgebenEN PREISE ZUZÜGLICH MEHRWERTSTEUER UNVERZÜGLICH AN UNS ZU ZAHLEN; DIES GILT AUCH DANN, WENN DEM KOMMISSIONÄR DIE RÜCKGABE DER IHM ANVERTRAUTEN KOMMISSIONSWARE AUS VON IHM NICHT ZU VERTRETENDEN GRÜNDEN UNMÖGLICH GEWORDEN IST ODER WENN FÜR DEN VERLUST ODER DIE BESCHÄDIGUNG DER WARE KEIN VERSICHERUNGSSCHUTZ BESTEHT. (4) DIE IN UNSEREN LIEFERSCHEINEN BZW. KOMMISSIONSRECHNUNGEN ANGEgebenEN PREISE ZUZÜGLICH MEHRWERTSTEUER STELLEN MINDESTPREISE DAR, DIE VOM KOMMISSIONÄR BEIM VERKAUF NICHT UNTERSCHRITTEN WERDEN DÜRFEN. DER DEN MINDESTERLÖS ÜBERSTEIGENDE SOGENANNT E ÜBERERLÖS STEHT DEM KOMMISSIONÄR ZU. GELINGT ES DEM KOMMISSIONÄR NICHT, EINEN ERLÖS ZU ERZIELEN, DER DEN IM LIEFERSCHEIN ANGEgebenEN PREISEN ZUZÜGLICH MEHRWERTSTEUER ENTSPRICH T, SO GEHEN DIE MINDERERLÖSEN ZU SEINEN LASTEN. MIT DIESER REGELUNG SIND SÄMTLICHE ANSPRÜCHE DES KOMMISSIONÄRS UNS

GEGENÜBER IN ZUSAMMENHANG MIT DEM KOMMISSIONSGESCHÄFT ABGE GOLTEN. VERKAUFT DER KOMMISSIONÄR IHM ANVERTRAUTE KOMMISSIONSWARE, SO VERPFLICHTET ER SICH, DIE MIT UNS VEREINBARTEN, IM LIEFERSCHEIN ANGEgebenEN PREISE ZUZÜGLICH MEHRWERTSTEUER OHNE JEDEN ABZUG UNVERZÜGLICH AN UNS ZU ZAHLEN; DIES GILT AUCH DANN, WENN DER KOMMISSIONÄR DIE BETREFFENDE WARE AUF KREDIT VERKAUFT ODER WENN ER ALS SELBSTVERKÄUFER ODER ALS SELBSTSCHULDNER IN DAS GESCHÄFT EINTRITT. (5) DER KOMMISSIONÄR IST VERPFLICHTET, VERKÄUFE AUS DER IHM ANVERTRAUTEN KOMMISSIONSWARE LÄNGSTENS INNERHALB EINER WOCHE ABZURECHNEN, SOWEIT SCHRIFTLICH NICHT AUSDRÜCKLICH ETWAS ANDERES VEREINBART WURDE. AUF VERLANGEN HAT UNS DER KOMMISSIONÄR EINSICHT IN DIE GESONDERT ZU FÜHRENDEN BÜCHER FÜR KOMMISSIONSGESCHÄFTE UND DIE DAZUGEHÖRIGEN UNTERLAGEN ZU GEWÄHREN. DIE REGELUNGEN ZUM EIGENTUMSVORBEHALT GEMÄSS § 13 DIESER AGB GELTEN ENTSPRECHEND. (6) WIRD WARE ZUR AUSWAHL GELIEFERT, SO GILT ZWISCHEN DEN BETEILIGTEN ALS VEREINBART, DASS DIE BESTIMMUNGEN UNTER AB- SATZ (1) BIS (5) ZUR ANWENDUNG KOMMEN, MIT DER MASSGABE, DASS DER EMPFÄNGER SICH VERPFLICHTET, DIE GELIEFERTE WARE ENTWEDER, SOFERN NICHT ANDERS VEREINBART, BIS SPÄTESTENS EINE WOCHE NACH LIEFERUNG ZU BEZAHLEN ODER AN UNS ZURÜCKZUGEBEN.

§ 16. SPEICHERUNG VON INFORMATIONEN

WIR SIND BEI EINHALTUNG DER VORSCHRIFTEN DES BUNDESDATENSCHUTZGESETZES BERECHTIGT, INFORMATIONEN UND DATEN ÜBER DEN KÄUFER ZU ERHEBEN, ZU SPEICHERN, ZU VERARBEITEN, ZU NUTZEN UND AN DRITTE INSBESONDERE ZUM ZWECKE DES FORDERUNGSEINZUGS ODER DES AUSGELAGERTEN DEBITORENMANAGEMENTS ZUR SPEICHERUNG, VERARBEITUNG UND NUTZUNG WEITERZUGEBEN.

§ 17. ERFÜLLUNGORT, GERICHTSSTAND UND RECHTSWAHL, SONSTIGE BESTIM- MUNGEN

(1) ERFÜLLUNGORT FÜR ALLE ANSPRÜCHE AUS DEN MIT UNS GESCHLOSSENEN VERTRÄGEN IST DER SITZ DER BLOCKBAU DESIGN GMBH.

(2) GERICHTSSTAND FÜR ALLE AUS DEM VERTRAGSVERHÄLTNIS ENTSPRINGENDEN RECHTSSTREITIGKEITEN EINSCHLIESSLICH WECHSEL- UND SCHECKKLAGEN IST DER SITZ DER BLOCKBAU DESIGN GMBH. NACH UNSERER WAHL KÖNNEN WIR AUCH DAS FÜR DEN GESCHÄFTSSITZ DES KUNDEN ZUSTÄNDIGE GERICHT ANRUFEN.

(3) ES GILT DAS RECHT DER BUNDESREPUBLIK DEUTSCHLAND. INTERNATIONALES KAUFRECHT IST AUSGESCHLOSSEN. DAS GILT AUSDRÜCKLICH AUCH FÜR DIE ANWENDUNG DES ÜBEREINKOMMENS DER VEREINTEN NATIONEN ÜBER DIE VERTRÄGE ÜBER DEN INTERNATIONALEN WARENVERKAUF (CISG).

(4) SOLLTE EINE BESTIMMUNG IN DIESEN AGB ODER EINE BESTIMMUNG IM RAHMEN SONSTIGER VEREINBARUNGEN UNWIRKSAM SEIN ODER WERDEN, SO WIRD HIERVON DIE WIRKSAMKEIT ALLER SONSTIGEN BESTIMMUNGEN ODER VEREINBARUNGEN NICHT BERÜHRT.

COMPANY DETAILS

BLOCKBAU DESIGN GMBH
ZIELSTRASSE 10A
68169 MANNHEIM
GERMANY

INFO@BLOCKBAU-DESIGN.DE
+49 (0)621 43660626

BLOCKBAU-DESIGN.COM
INSTAGRAM.COM/BLOCKBAU.DESIGN

IMPRINT

RESPONSIBLE FOR CONTENT: BLOCKBAU
DESIGN GMBH

MANAGING DIRECTOR: KEVIN RACK

PHOTOGRAPHY: MICHELLE MANTEL

COPYRIGHT: BLOCKBAU DESIGN GMBH,
2024, ALL TIGHTS RESERVED

THE REPRODUCTION OF MATERIAL, TEXT
AND IMAGES REQUIRES WRITTEN PERMIS-
SION. ALL PRODUCTS BELONG TO THEIR
RESPECTIVE OWNERS. ANY MISUSE AND
ANY COPY WILL BE PROSECUTED BY LAW.

blockbau